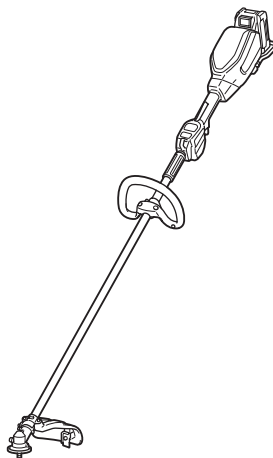


INSTRUCTION MANUAL
MANUEL D'INSTRUCTION
MANUAL DE INSTRUCCIONES



Cordless Grass Trimmer Coupe Herbe Sans Fil Cortador Inalámbrico de Pasto

UR008G



IMPORTANT: Read Before Using.

IMPORTANT : Lire avant usage.

IMPORTANTE: Lea antes de usar.

SPECIFICATIONS

Model:		UR008G
Handle type		Loop handle
No load speed (at each rotation speed level)		3: 0 - 6,000 /min 2: 0 - 4,600 /min 1: 0 - 4,000 /min
Overall length (without cutting tool and battery)		1,803 mm (71")
Nylon cord diameter		2.0 - 2.3 mm (0.08" - 0.09")
Applicable cutting tool and cutting diameter	Nylon cutting head (P/N 191D89-4) (P/N 198893-8)	430 mm (17")
Rated voltage		D.C. 36 V - 40 V max
Net weight		5.0 - 6.3 kg (11.0 - 13.9 lbs)

- Due to our continuing program of research and development, the specifications herein are subject to change without notice.
- Specifications may differ from country to country.
- The weight may differ depending on the attachment(s), including the battery cartridge. The lightest and heaviest combination, according to EPTA-Procedure 01/2014, are shown in the table.

Applicable battery cartridge and charger

Battery cartridge	BL4020 / BL4025* / BL4040* / BL4050F* / BL4080F* *: Recommended battery
Charger	DC40RA / DC40RB / DC40RC

- Some of the battery cartridges and chargers listed above may not be available depending on your region of residence.

⚠WARNING: Only use the battery cartridges and chargers listed above. Use of any other battery cartridges and chargers may cause injury and/or fire.

Recommended cord connected power source

Portable power pack	PDC01 / PDC1200
---------------------	-----------------

- The cord connected power source(s) listed above may not be available depending on your region of residence.
- Before using the cord connected power source, read instruction and cautionary markings on them.

SAFETY WARNINGS

Important safety instructions

⚠WARNING: When using electric gardening appliances, basic safety precautions should always be followed to reduce the risk of fire, electric shock, and personal injury, including the following.

Read All Instructions

Failure to follow the warnings and instructions may result in electric shock, fire and/or serious injury.

SAVE THESE INSTRUCTIONS.

General instructions

1. **Never allow people unfamiliar with these instructions or children to use the machine. Local regulations can restrict the age of the operator.** It is dangerous in the hands of untrained users or children.
2. **Be sure that anyone who is to operate the string trimmer has first read the instruction manual.**
3. **Use the string trimmer with the utmost care and attention.**
4. **Operate the string trimmer only if you are in good physical condition. Perform all work calmly and carefully. Use common sense and keep in mind that the operator or user is responsible for accidents or hazards occurring to other people or their property.**

5. **Never operate the string trimmer when tired, feeling ill or under the influence of alcohol or drugs.**
6. **Avoid accidentally starting:**
 - **Ensure the switch is in the off position before installing the battery pack.** Inserting the battery pack into the string trimmer with the switch on invites accidents.
 - **Carrying the string trimmer with your finger on the switch invites accidents.**
7. **The string trimmer should be switched off immediately if it shows any signs of abnormal operation.**
8. **Don't force the tool.** It will do the job better and with less likelihood of a risk of injury at the rate for which it was designed.
9. **Don't overreach. Keep proper footing and balance at all times.**
10. **Stay Alert - Watch what you are doing. Use common sense. Do not operate appliance when you are tired.**
11. **Store idle appliances indoors.**
12. **Keep fingers away from switch trigger when not operating the tool and when moving from one operating position to another.**

Intended use of the tool

1. **Use right tool.** The cordless string trimmer is only intended for cutting grass and light weeds. It should not be used for any other purpose such as edging or hedge cutting as this may cause injury.
2. **Use only the manufacturer's recommended accessories and attachments.** Use of any other accessories and attachments may increase the risk of injury.

Personal protective equipment

1. **Dress Properly.** The clothing worn should be functional and appropriate, i.e. it should be tight-fitting but not cause hindrance. Do not wear loose clothing or jewelry. They can be caught in moving parts. Use of thick leather gloves and substantial footwear is recommended when working outdoors. Wear protective hair covering to contain long hair.
2. **In order to avoid either head, eye, hand or foot injuries as well as to protect your hearing the following protective equipment and protective clothing must be used during operation of the equipment.**

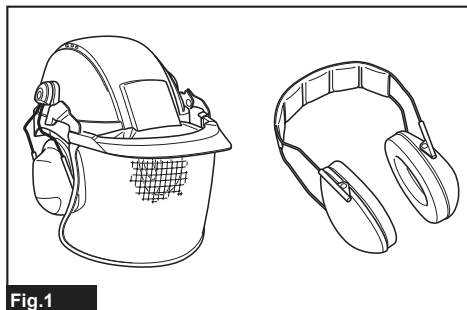


Fig.1

3. **Always wear a helmet where there is a risk of falling objects.** The protective helmet is to be checked at regular intervals for damage and is to be replaced at least every five years. Use only approved protective helmets.
4. **Use safety glasses.** The visor of the helmet (or alternatively goggles) protects the face from flying debris and stones. During operation of the tool always wear goggles, or a visor to prevent eye injuries.
5. **Wear adequate noise protection equipment to avoid hearing impairment (ear muffs, ear plugs etc.).**

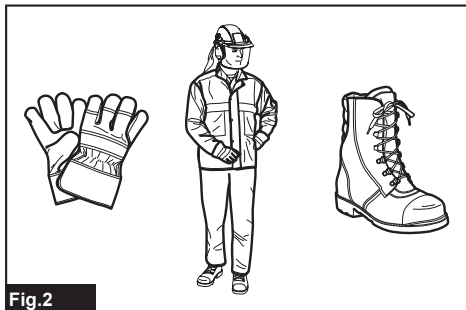


Fig.2

6. **Work overalls protect against injury from flying stones and debris. It is strongly recommended that the user wears work overalls.**
7. **Special gloves made of thick leather are part of the prescribed equipment and must always be worn during operation of the tool.**
8. **When using the tool, always wear sturdy shoes with a nonslip sole.** This protects against injuries from flying debris and ensures a good footing.
9. **Use a dust mask if operation is dusty.**

Electrical and battery safety

1. **Avoid dangerous environment.** Don't use the tool in damp or wet locations or expose it to rain. Water entering the tool will increase the risk of electric shock.
2. **Prevent unintentional starting.** Ensure the switch is in the off-position before connecting to battery pack, picking up or carrying the machine. Carrying the machine with your finger on the switch or energizing machine that have the switch on invites accidents.
3. **Disconnect the battery pack from the machine before making any adjustments, changing accessories, or storing machine.** Such preventive safety measures reduce the risk of starting the machine accidentally.
4. **Recharge only with the charger specified by the manufacturer.** A charger that is suitable for one type of battery pack may create a risk of fire when used with another battery pack.
5. **Use machines only with specifically designated battery packs.** Use of any other battery packs may create a risk of injury and fire.
6. **When battery pack is not in use, keep it away from other metal objects, like paper clips, coins, keys, nails, screws or other small metal objects, that can make a connection from one terminal to another.** Shorting the battery terminals together may cause burns or a fire.

7. **Under abusive conditions, liquid may be ejected from the battery; avoid contact. If contact accidentally occurs, flush with water. If liquid contacts eyes, seek medical help.** Liquid ejected from the battery may cause irritation or burns.
8. **Do not use a battery pack or machine that is damaged or modified. Damaged or modified batteries may exhibit unpredictable behaviour resulting in fire, explosion or risk of injury.**
9. **Do not expose a battery pack or machine to fire or excessive temperature. Exposure to fire or temperature above 130°C (265°F) may cause explosion.**
10. **Follow all charging instructions and do not charge the battery pack or machine outside of the temperature range specified in the instructions.** Charging improperly or at temperatures outside of the specified range may damage the battery and increase the risk of fire.
11. **Have servicing performed by a qualified repair person using only identical replacement parts.** This will ensure that the safety of the product is maintained.
12. **Do not modify or attempt to repair the machine or the battery pack except as indicated in the instructions for use and care.**
13. **Do not dispose of the battery(ies) in a fire.** The cell may explode. Check with local codes for possible special disposal instructions.
14. **Do not open or mutilate the battery(ies).** Released electrolyte is corrosive and may cause damage to the eyes or skin. It may be toxic if swallowed.
15. **Do not charge battery in rain, or in wet locations.**
16. **Make sure there are no electrical cables, water pipes, gas pipes etc. that could cause a hazard if damaged by use of the tool.**
17. **Do not replace the battery with wet hands.**
18. **Do not replace the battery in the rain.**
19. **Do not wet the terminal of battery with liquid such as water, or submerge the battery. Do not leave the battery in the rain, nor charge, use, or store the battery in a damp or wet place.** If the terminal gets wet or liquid enters inside of battery, the battery may be short circuited and there is a risk of overheat, fire, or explosion.
20. **After removing the battery from the tool or charger, be sure to attach the battery cover to the battery and store it in a dry place.**
21. **If the battery cartridge gets wet, drain the water inside and then wipe it with a dry cloth. Dry the battery cartridge completely in a dry place before use.**
22. **Do not charge the battery outdoors.**
23. **Do not handle charger, including charger plug, and charger terminals with wet hands.**

Starting up the tool

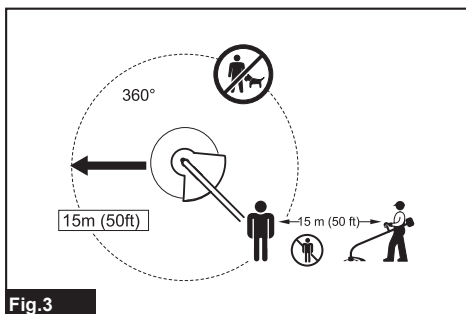


Fig.3

1. **Make sure that there are no children or other people within a working range of 15 meters (50 ft), also pay attention to any animals in the working vicinity. Otherwise stop using the tool.**
2. **Before use always check that the tool is safe for operation. Check the security of the nylon cutting head and the guard and the switch trigger/lever for easy and proper action. Check for clean and dry handles and test the on/off function of the switch.**
3. **Check damaged parts before further use of the tool. A guard or other part that is damaged should be carefully checked to determine that it will operate properly and perform its intended function. Check for alignment of moving parts, binding of moving parts, breakage of parts, mounting, and any other condition that may affect its operation. A guard or other part that is damaged should be properly repaired or replaced by our authorized service center unless indicated elsewhere in this manual.**
4. **Switch on the motor only when hands and feet are away from the nylon cutting head.**
5. **Before starting make sure that the nylon cutting head has no contact with hard objects such as branches, stones etc. as the nylon cutting head will revolve when starting.**
6. **Remove any adjusting key, wrench or blade cover before turning the power tool on. An accessory left attached to a rotating part of the power tool may result in personal injury.**
7. **Make sure there are no electrical cables, water pipes, gas pipes etc. that could cause a hazard if damaged by use of the tool.**
8. **Do not use a cutting tool which is not recommended by Makita.**
9. **Do not operate the tool in bad weather or if there is a risk of lightning.**

Method of operation

1. **Only use the tool in good light and visibility. During the winter season beware of slippery or wet areas, ice and snow (risk of slipping). Always ensure a safe footing.**
2. **Take care against injury to feet and hands from the nylon cutting head.**
3. **Never cut above waist height.**
4. **Never stand on a ladder and run the tool.**

5. **Never climb up into trees to perform cutting operation with the tool.**
6. **Never work on unstable surfaces.**
7. **Remove sand, stones, nails etc. found within the working range.** Foreign particles may damage the nylon cutting head.
8. **Should the nylon cutting head hit stones or other hard objects, immediately switch off the motor and inspect the nylon cutting head.**
9. **Before commencing cutting, the nylon cutting head must have reached full working speed.**
10. **During operation always hold the tool with both hands. Never hold the tool with one hand during use. Always ensure a safe footing.**
11. **The nylon cutting head has to be equipped with the guard. Never run the tool with damaged guards or without guards in place!**
12. **All protective equipment such as guards supplied with the string trimmer must be used during operation.**
13. **Except in case of emergency, never drop or cast the tool to the ground or this may severely damage the tool.**
14. **Never drag the tool on the ground when moving from place to place, the tool may become damaged if moved in this manner.**
15. **Always remove the battery cartridge from the tool:**
 - whenever leaving the tool unattended;
 - before clearing a blockage;
 - before checking, cleaning or working on the tool;
 - whenever the tool starts vibrating abnormally;
 - whenever transporting the tool.
16. **Always ensure that the ventilation openings are kept clear of debris.**
17. **Cutting elements continue to rotate after the motor is switched off.**
18. **Do not operate power tools in explosive atmospheres, such as in the presence of flammable liquids, gases or dust.** Power tools create sparks which may ignite the dust or fumes.
19. **Take a rest to prevent loss of control caused by fatigue.** We recommend to take a 10 to 20-minute rest every hour.
20. **Hold the power tool by insulated gripping surfaces only, because the cutting tool may contact hidden wiring.** Cutting tool contacting a "live" wire may make exposed metal parts of the power tool "live" and could give the operator an electric shock.
21. **Do not use the tool on steep slopes.**
22. **The shoulder harness must be used during operation, if supplied with the tool.**
23. **Do not start the tool when the cutting tool is tangled with cut grass.**
24. **Before starting the tool, be sure that the cutting tool is not touching the ground and other obstacles such as a tree.**
25. **Always keep your hands, face, and clothes away from the cutting tool when it is rotating.** Failure to do so may cause personal injury.
26. **Only use the cutting tool that are marked with a speed equal or higher than the speed marked on the tool.**
27. **Do not touch the gear case during and immediately after the operation.** The gear case becomes hot during operation and can cause burn injury.
28. **Do not use the tool when there is a risk of lightning.**
29. **When you use the tool on muddy ground, wet slope, or slippery place, pay attention to your footing.**
30. **Avoid working in poor environment where increased user fatigue is expected.**
31. **Do not use the tool in bad weather where visibility is limited.** Failure to do so may cause fall or incorrect operation due to low visibility.
32. **Do not submerge the tool into a puddle.**
33. **Do not leave the tool unattended outdoors in the rain.**
34. **When wet leaves or dirt adhere to the suction mouth (ventilation window) due to rain, remove them.**
35. **Do not use the tool in the snow.**
36. **Swing the tool evenly in a half-circle from right to left, like using a scythe.** This allows the proper segment of the blade to contact plants to be cut.
37. **Check the cutting attachment frequently during operation for cracks or damages.** Before the inspection, remove the battery cartridge and wait until the cutting attachment stops completely. Replace damaged cutting attachment immediately, even if it has only superficial cracks.

Vibration

1. **People with poor circulation who are exposed to excessive vibration may experience injury to blood vessels or the nervous system.**
Vibration may cause the following symptoms to occur in the fingers, hands or wrists: "Falling asleep" (numbness), tingling, pain, stabbing sensation, alteration of skin color or of the skin. If any of these symptoms occur, see a physician!
2. **To reduce the risk of "white finger disease", keep your hands warm during operation and well maintain the tool and accessories.**

Maintenance instructions

1. **The condition of the nylon cutting head, protective devices must be checked before commencing work.**
2. **Turn off the motor and remove the battery cartridge before carrying out maintenance, replacing the nylon cutting head or nylon cord and cleaning the tool.**
3. **Check for loose fasteners and damaged parts such as cracks in the nylon cutting head.**
4. **Follow instructions for lubricating and changing accessories if applicable.**
5. **When not in use store the equipment in an indoor dry location that is locked up or out of children's reach.**

6. Use only the manufacturer's recommended replacement parts and accessories.
7. Inspect and maintain the tool regularly, especially before/after use. Have the tool repaired only by our authorized service center.
8. Keep handles dry, clean and free from oil and grease. Keep all cooling air inlets clear of debris.
9. Always keep the tool in good working condition. Poor maintenance can result in inferior performance and shorten the life of the tool.
10. Do not wash the tool with high pressure water.
11. When washing the tool, do not let water enter the electrical mechanism such as battery, motor, and terminals.
12. When storing the tool, avoid direct sunlight and rain, and store it in a place where it does not get hot or humid.
13. Perform inspection or maintenance in a place where rain can be avoided.
14. After using the tool, remove the adhered dirt and dry the tool completely before storing. Depending on the season or the area, there is a risk of malfunction due to freezing.
15. Before transporting the tool, turn it off and remove the battery cartridge.

Storage

1. Before storing the tool, perform full cleaning and maintenance. Remove the battery cartridge.
2. Store the tool in a dry and high or locked location out of reach of children.
3. Do not prop the tool against something, such as a wall. Otherwise it may fall suddenly and cause an injury.

SAVE THESE INSTRUCTIONS.

⚠ WARNING: DO NOT let comfort or familiarity with product (gained from repeated use) replace strict adherence to safety rules for the subject product. MISUSE or failure to follow the safety rules stated in this instruction manual may cause serious personal injury.

⚠ WARNING: Use of this product can create dust containing chemicals which may cause respiratory or other illnesses. Some examples of these chemicals are compounds found in pesticides, insecticides, fertilizers and herbicides.

Your risk from these exposures varies, depending on how often you do this type of work. To reduce your exposure to these chemicals: work in a well ventilated area, and work with approved safety equipment, such as those dust masks that are specially designed to filter out microscopic particles.

Symbols

The followings show the symbols used for tool.

V	volts
— — —	direct current
n ₀	no load speed
.../min r/min	revolutions or reciprocation per minute

Important safety instructions for battery cartridge

1. Before using battery cartridge, read all instructions and cautionary markings on (1) battery charger, (2) battery, and (3) product using battery.
2. Do not disassemble or tamper with the battery cartridge. It may result in a fire, excessive heat, or explosion.
3. If operating time has become excessively shorter, stop operating immediately. It may result in a risk of overheating, possible burns and even an explosion.
4. If electrolyte gets into your eyes, rinse them out with clear water and seek medical attention right away. It may result in loss of your eyesight.
5. Do not short the battery cartridge:
 - (1) Do not touch the terminals with any conductive material.
 - (2) Avoid storing battery cartridge in a container with other metal objects such as nails, coins, etc.
 - (3) Do not expose battery cartridge to water or rain.

A battery short can cause a large current flow, overheating, possible burns and even a breakdown.

6. Do not store and use the tool and battery cartridge in locations where the temperature may reach or exceed 50 °C (122 °F).
7. Do not incinerate the battery cartridge even if it is severely damaged or is completely worn out. The battery cartridge can explode in a fire.
8. Do not nail, cut, crush, throw, drop the battery cartridge, or hit against a hard object to the battery cartridge. Such conduct may result in a fire, excessive heat, or explosion.
9. Do not use a damaged battery.
10. The contained lithium-ion batteries are subject to the Dangerous Goods Legislation requirements. For commercial transports e.g. by third parties, forwarding agents, special requirement on packaging and labeling must be observed. For preparation of the item being shipped, consulting an expert for hazardous material is required. Please also observe possibly more detailed national regulations. Tape or mask off open contacts and pack up the battery in such a manner that it cannot move around in the packaging.

11. **When disposing the battery cartridge, remove it from the tool and dispose of it in a safe place. Follow your local regulations relating to disposal of battery.**
12. **Use the batteries only with the products specified by Makita.** Installing the batteries to non-compliant products may result in a fire, excessive heat, explosion, or leak of electrolyte.
13. **If the tool is not used for a long period of time, the battery must be removed from the tool.**
14. **During and after use, the battery cartridge may take on heat which can cause burns or low temperature burns. Pay attention to the handling of hot battery cartridges.**
15. **Do not touch the terminal of the tool immediately after use as it may get hot enough to cause burns.**
16. **Do not allow chips, dust, or soil stuck into the terminals, holes, and grooves of the battery cartridge.** It may cause heating, catching fire, burst and malfunction of the tool or battery cartridge, resulting in burns or personal injury.
17. **Unless the tool supports the use near high-voltage electrical power lines, do not use the battery cartridge near a high-voltage electrical power lines.** It may result in a malfunction or breakdown of the tool or battery cartridge.
18. **Keep the battery away from children.**

SAVE THESE INSTRUCTIONS.

⚠CAUTION: Only use genuine Makita batteries. Use of non-genuine Makita batteries, or batteries that have been altered, may result in the battery bursting causing fires, personal injury and damage. It will also void the Makita warranty for the Makita tool and charger.

Tips for maintaining maximum battery life

1. **Charge the battery cartridge before completely discharged. Always stop tool operation and charge the battery cartridge when you notice less tool power.**
2. **Never recharge a fully charged battery cartridge. Overcharging shortens the battery service life.**
3. **Charge the battery cartridge with room temperature at 10 °C - 40 °C (50 °F - 104 °F). Let a hot battery cartridge cool down before charging it.**
4. **When not using the battery cartridge, remove it from the tool or the charger.**
5. **Charge the battery cartridge if you do not use it for a long period (more than six months).**

PARTS DESCRIPTION

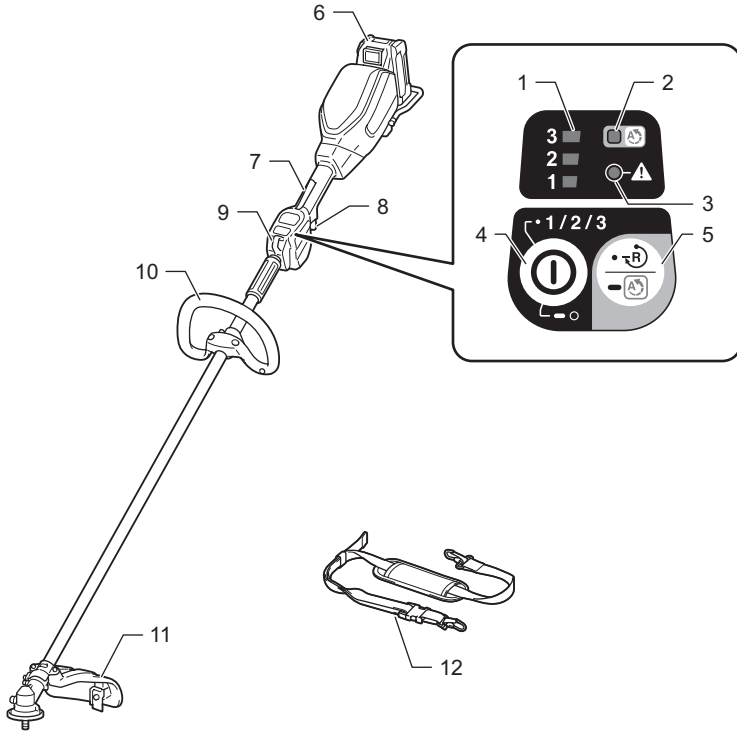


Fig.4

1	Speed indicator	2	ADT indicator (ADT = Automatic Torque Drive Technology)	3	Caution lamp	4	Main power button
5	Reverse button	6	Battery cartridge	7	Lock-off lever	8	Switch trigger
9	Hanger	10	Handle	11	Protector	12	Shoulder harness

FUNCTIONAL DESCRIPTION

⚠ WARNING: Always be sure that the tool is switched off and the battery cartridge is removed before adjusting or checking function on the tool. Failure to switch off and remove the battery cartridge may result in serious personal injury from accidental start-up.

Installing or removing battery cartridge

⚠ CAUTION: Always switch off the tool before installing or removing of the battery cartridge.

⚠ CAUTION: Hold the tool and the battery cartridge firmly when installing or removing battery cartridge. Failure to hold the tool and the battery cartridge firmly may cause them to slip off your hands and result in damage to the tool and battery cartridge and a personal injury.

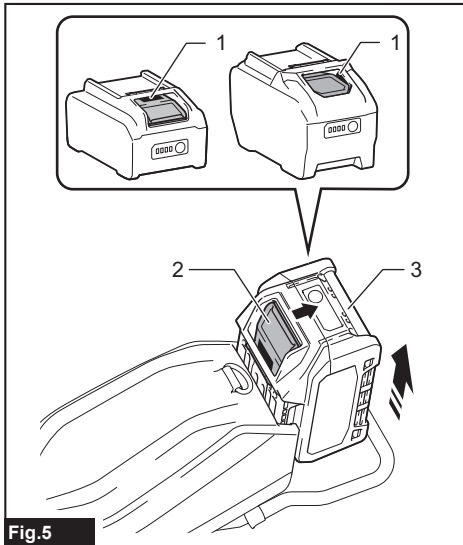


Fig.5

► 1. Red indicator 2. Button 3. Battery cartridge

To remove the battery cartridge, slide it from the tool while sliding the button on the front of the cartridge.

To install the battery cartridge, align the tongue on the battery cartridge with the groove in the housing and slip it into place. Insert it all the way until it locks in place with a little click. If you can see the red indicator as shown in the figure, it is not locked completely.

⚠ CAUTION: Always install the battery cartridge fully until the red indicator cannot be seen. If not, it may accidentally fall out of the tool, causing injury to you or someone around you.

⚠ CAUTION: Do not install the battery cartridge forcibly. If the cartridge does not slide in easily, it is not being inserted correctly.

Tool / battery protection system

The tool is equipped with a tool/battery protection system. This system automatically cuts off power to the motor to extend tool and battery life. The tool will automatically stop during operation if the tool is placed under one of the following conditions:

Caution lamp			Status
Color	● On	● Blinking	
Green		●	Overload
Red	● (tool) / ● (battery)		Overheat
Red		●	Over discharge

Overload protection

If the tool gets into one of the following situation, the tool automatically stops and the caution lamp starts blinking in green:

- The tool is overloaded by entangled weeds or other debris.
- The cutting tool is locked.
- The main power button is turned on while the switch trigger is being pulled.

In this situation, release the switch trigger and remove entangled weeds or debris if necessary. After that, pull the switch trigger again to resume.

⚠ CAUTION: If you need to remove the entangled weeds on the tool or release the locked cutting tool, be sure to turn the tool off before you start.

Overheat protection for tool or battery

If the tool or battery cartridge is overheated, the tool stops automatically. When the tool is overheated, the caution lamp lights up in red. When the battery cartridge is overheated, the caution lamp blinks in red. Let the tool and/or battery cool down before turning the tool on again.

Overdischarge protection

When the battery capacity becomes low, the tool stops automatically and the caution lamp starts blinking in red. If the tool does not operate even when the switches are operated, remove the battery cartridge from the tool and charge it.

Indicating the remaining battery capacity

Press the check button on the battery cartridge to indicate the remaining battery capacity. The indicator lamps light up for a few seconds.

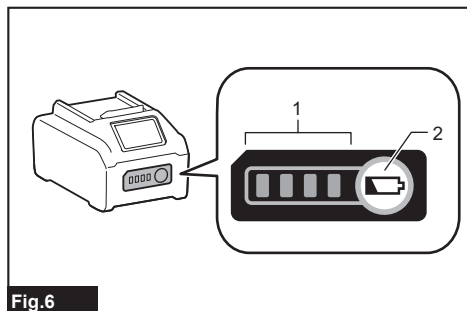


Fig.6

► 1. Indicator lamps 2. Check button

Indicator lamps			Remaining capacity
Lighted	Off	Blinking	
■ ■ ■ ■			75% to 100%
■ ■ ■ □			50% to 75%
■ ■ □ □			25% to 50%
■ □ □ □			0% to 25%
▬ □ □ □			Charge the battery.
■ ■ □ □			The battery may have malfunctioned.
□ □ ■ ■	↑ ↓		

NOTE: Depending on the conditions of use and the ambient temperature, the indication may differ slightly from the actual capacity.

NOTE: The first (far left) indicator lamp will blink when the battery protection system works.

Main power switch

Tap the main power button to turn on the tool. To turn off the tool, press and hold the main power button until the speed indicator goes off.

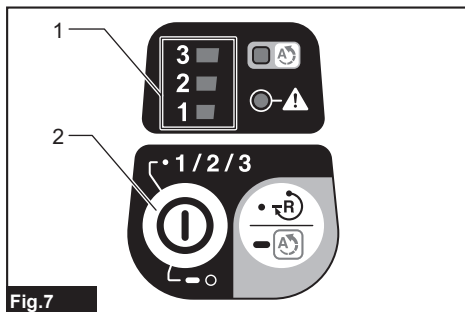


Fig.7

► 1. Speed indicator 2. Main power button

NOTE: The tool will automatically turned off if it is left without any operations for a certain period of time.

Switch action

⚠WARNING: For your safety, this tool is equipped with lock-off lever which prevents the tool from unintended starting. **NEVER** use the tool if it runs when you simply pull the switch trigger without pressing the lock-off lever. Return the tool to our authorized service center for proper repairs **BEFORE** further usage.

⚠WARNING: **NEVER** tape down or defeat purpose and function of lock-off lever.

⚠CAUTION: Before installing the battery cartridge into the tool, always check to see that the switch trigger actuates properly and returns to the "OFF" position when released. Operating a tool with a switch that does not actuate properly can lead to loss of control and serious personal injury.

⚠CAUTION: **Never** put your finger on the main power button and switch trigger when carrying the tool. The tool may start unintentionally and cause injury.

NOTICE: Do not pull the switch trigger hard without pressing the lock-off lever. This can cause switch breakage.

To prevent the switch trigger from being accidentally pulled, a lock-off lever is provided. To start the tool, depress the lock-off lever and pull the switch trigger. The tool speed increases by increasing pressure on the switch trigger. Release the switch trigger to stop.

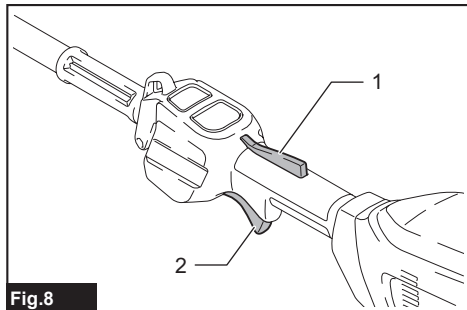


Fig.8

► 1. Lock-off lever 2. Switch trigger

Speed adjusting

You can select the tool speed by tapping the main power button. Each time you tap the main power button, the level of speed will change.

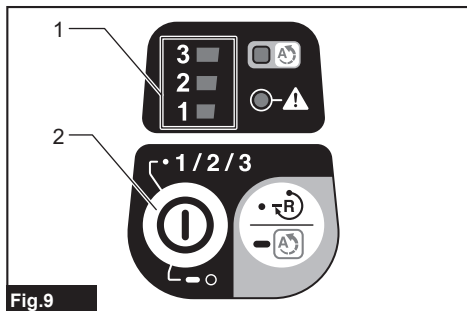


Fig.9

► 1. Speed indicator 2. Main power button

Speed indicator	Mode	Rotation speed
3 █ 2 █ 1 █	High	0 - 6,000 /min
3 █ 2 █ 1 █	Medium	0 - 4,600 /min
3 █ 2 █ 1 █	Low	0 - 4,000 /min

Automatic Torque Drive Technology

When you turn on the Automatic Torque Drive Technology (ADT), the tool runs at optimum rotation speed and torque for the condition of grass being cut.

To start ADT, press and hold the reverse button until the ADT indicator turns on.

To stop ADT, press and hold the reverse button until the ADT indicator turns off.

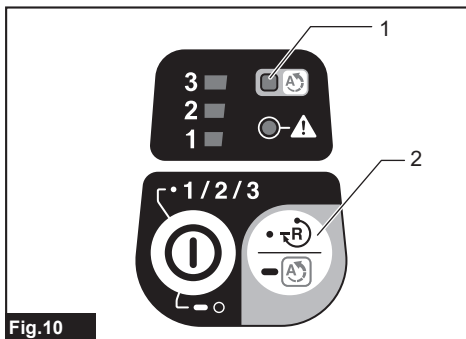


Fig.10

► 1. ADT indicator 2. Reverse button

Indicator	Mode	Rotation speed
	ADT	3,500 - 6,000 /min

Reverse button for debris removal

⚠WARNING: Switch off the tool and remove the battery cartridge before you remove entangled weeds or debris which the reverse rotation function can not remove. Failure to switch off and remove the battery cartridge may result in serious personal injury from accidental start-up.

This tool has a reverse button to change the direction of rotation. It is only for removing weeds and debris entangled in the tool.

To reverse the rotation, tap the reverse button and pull the switch trigger while depressing the lock-off lever when the cutting tool is stopped. The speed indicators and ADT indicator start blinking, and the cutting tool rotates in reverse direction when you pull the switch trigger.

To return to regular rotation, release the trigger and wait until the cutting tool stops.

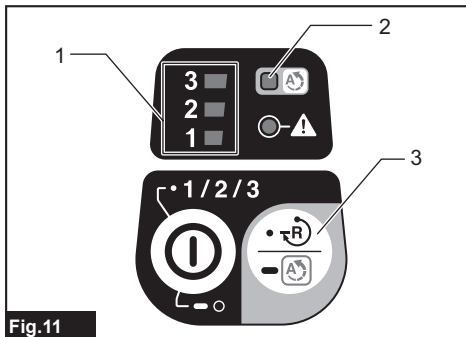


Fig.11

► 1. Speed indicator 2. ADT indicator 3. Reverse button

NOTE: During the reverse rotation, the tool operates only for a short period of time and then automatically stops.

NOTE: Once the tool is stopped, the rotation returns to regular direction when you start the tool again.

NOTE: If you tap the reverse button while the cutting tool is still rotating, the tool comes to stop and to be ready for reverse rotation.

Electric brake

This tool is equipped with an electric brake. If the tool consistently fails to quickly stop after the switch trigger is released, have the tool serviced at our service center.

CAUTION: This brake system is not a substitute for the protector. Never use the tool without the protector. An unguarded cutting tool may result in serious personal injury.

Electronic function

Constant speed control

The speed control function provides the constant rotation speed regardless of load conditions.

Soft start feature

Soft start because of suppressed starting shock.

ASSEMBLY

WARNING: Always be sure that the tool is switched off and battery cartridge is removed before carrying out any work on the tool. Failure to switch off and remove the battery cartridge may result in serious personal injury from accidental start-up.

WARNING: Never start the tool unless it is completely assembled. Operation of the tool in a partially assembled state may result in serious personal injury from accidental start-up.

Installing the handle

1. Attach the upper and lower clamps on the damper.
2. Put the handle on the upper clamp and fix it with hex socket head bolts as illustrated.

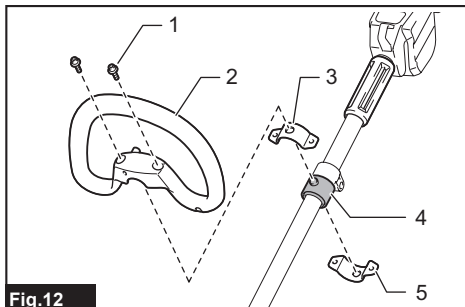


Fig.12

- 1. Hex socket head bolt 2. Handle 3. Upper clamp
4. Damper 5. Lower clamp

Hex wrench storage

CAUTION: Be careful not to leave the hex wrench inserted in the tool head. It may cause injury and/or damage to the tool.

When not in use, store the hex wrench as illustrated to keep it from being lost.

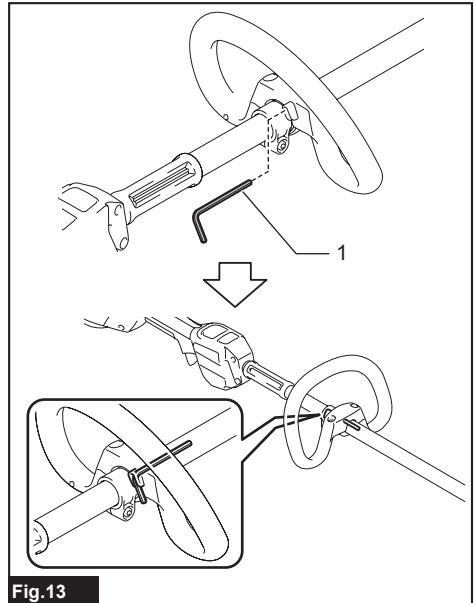




Fig.13

- 1. Hex wrench

Correct combination of the cutting tool and the protector

CAUTION: Always use the correct combination of cutting tool and the protector. A wrong combination may not protect you from the cutting tool, flying debris, and stones. It can also affect the balance of the tool and result in an injury.

Cutting tool	Protector
Nylon cutting head 	

Installing the protector

WARNING: Never use the tool without the guard illustrated in place. Failure to do so can cause serious personal injury.

CAUTION: Take care not to injure yourself on the cutter for cutting the nylon cord.

Attach the protector to the clamp using bolts.

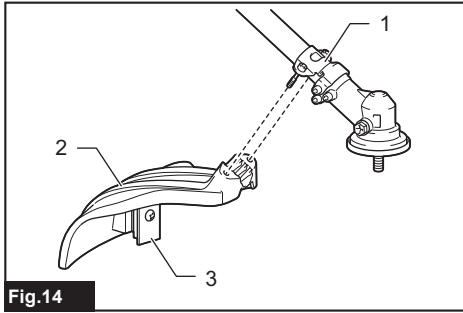


Fig.14

- 1. Clamp 2. Protector 3. Cutter

Installing the cutting tool

CAUTION: Always use the supplied wrench(es) to remove or to install the cutting tool.

CAUTION: Be sure to remove the hex wrench inserted into the tool head after installing the cutting tool.

NOTE: The type of the cutting tool(s) supplied as the standard accessory varies depending on the countries.

NOTE: Turn the tool upside down so that you can replace the cutting tool easily.

Nylon cutting head

NOTICE: Be sure to use genuine Makita nylon cutting head.

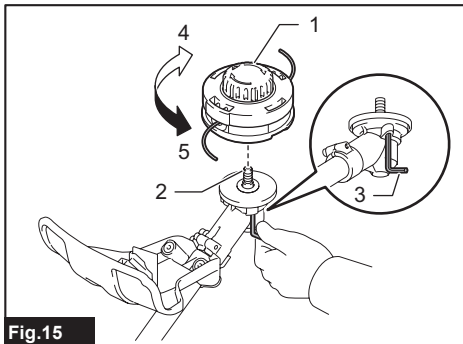


Fig.15

- 1. Nylon cutting head 2. Spindle 3. Hex wrench
4. Loosen 5. Tighten

1. Insert the hex wrench through the hole in the gear case to lock the spindle. Rotate the spindle until the hex wrench is fully inserted.

2. Place the nylon cutting head onto the spindle and tighten it securely by hand.

3. Remove the hex wrench from the gear case.

To remove the nylon cutting head, follow the installation procedures in reverse.

OPERATION

Attaching the shoulder harness

WARNING: Be extremely careful to maintain control of the tool at all times. Do not allow the tool to be deflected toward you or anyone in the work vicinity. Failure to keep control of the tool could result in serious injury to the bystander and the operator.

CAUTION: Always use the shoulder harness attached to the tool. Before operation, adjust the shoulder harness according to the user size to prevent fatigue.

CAUTION: Before operation, make sure that the shoulder harness is properly attached to the hanger on the tool.

CAUTION: When you use the tool in combination of the backpack-type power supply such as portable power pack, do not use the shoulder harness included in the tool package, but use the hanging band recommended by Makita.

If you put on the shoulder harness included in the tool package and the shoulder harness of the backpack-type power supply at the same time, removing the tool or backpack-type power supply is difficult in case of an emergency, and it may cause an accident or injury. For the recommended hanging band, ask Makita Authorized Service Centers.

1. Clasp the hook on the shoulder harness to tool's ring and hanger.

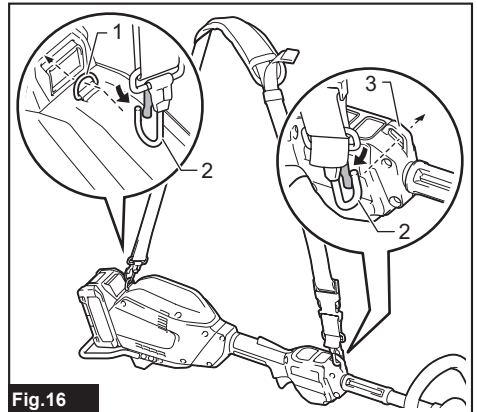


Fig.16

- 1. Ring 2. Hook 3. Hanger

- Put on the shoulder harness on your left shoulder. Adjust the shoulder harness to a comfortable working position.

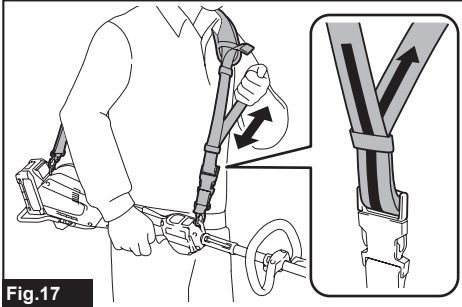


Fig.17

The shoulder harness features a means of quick release. Simply squeeze the sides of the buckle while holding the tool to release the tool from the shoulder harness.

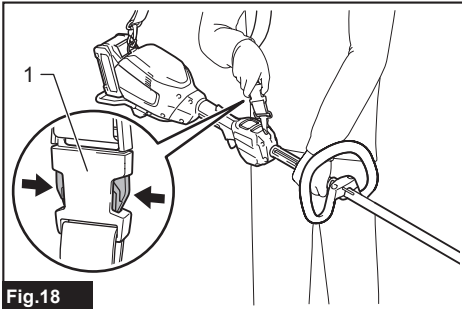


Fig.18

- ▶ 1. Buckle

Correct handling of the tool

⚠WARNING: Always position the tool on your right-hand side. Correct positioning of the tool allows for maximum control and will reduce the risk of serious personal injury.

⚠WARNING: Be extremely careful to maintain control of the tool at all times. Do not allow the tool to be deflected toward you or anyone in the work vicinity. Failure to keep control of the tool could result in serious injury to the bystander and the operator.

⚠WARNING: To avoid accident, leave more than 15m (50 ft) distance between operators when two or more operators work in one area. Also, arrange a person to observe the distance between operators. If someone or an animal enters the working area, immediately stop the operation.

⚠CAUTION: If the cutting tool accidentally impacts a rock or hard object during operation, stop the tool and inspect for any damage. If the cutting tool is damaged, replace it immediately. Use of a damaged cutting tool may result in serious personal injury.

Correct positioning and handling allow optimum control and reduce the risk of injury.

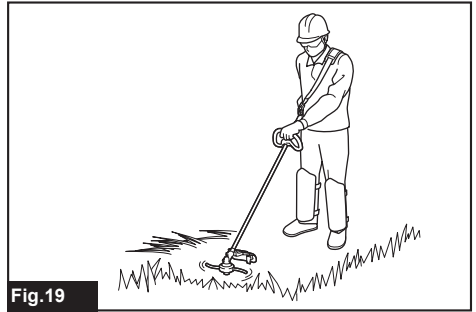


Fig.19

When using a nylon cutting head (bump & feed type)

The nylon cutting head is a dual string trimmer head provided with a bump & feed mechanism. To feed out the nylon cord, tap the cutting head against the ground while rotating.

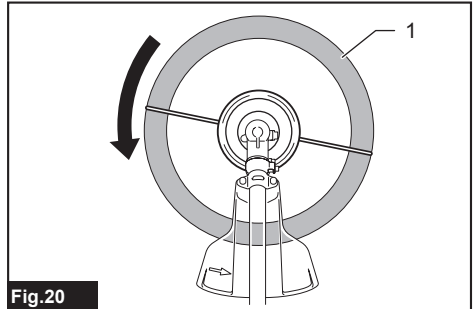


Fig.20

- ▶ 1. Most effective cutting area

NOTICE: The bump feed will not operate properly if the nylon cutting head is not rotating.

NOTE: If the nylon cord does not feed out while tapping the head, rewind/replace the nylon cord by following the procedures in the section for the maintenance.

MAINTENANCE

⚠WARNING: Always be sure that the tool is switched off and battery cartridge is removed before attempting to perform inspection or maintenance on the tool. Failure to switch off and remove the battery cartridge may result in serious personal injury from accidental start-up.

NOTICE: Never use gasoline, benzine, thinner, alcohol or the like. Discoloration, deformation or cracks may result.

To maintain product SAFETY and RELIABILITY, repairs, any other maintenance or adjustment should be performed by Makita Authorized or Factory Service Centers, always using Makita replacement parts.

Cleaning the tool

Clean the tool by wiping off dust, dirt, or cut off grass with a dry cloth or one dipped in soapy water and wrung out. To avoid overheating of the tool, be sure to remove the cut off grass or debris adhered to the vent of the tool.

Replacing the nylon cord

⚠ WARNING: Use only the nylon cord with diameter specified in this instruction manual. Never use heavier line, metal wire, rope or the like. Failure to do so may cause damage to the tool and result in serious personal injury.

⚠ WARNING: Always remove the nylon cutting head from the tool when replacing the nylon cord.

⚠ WARNING: Make sure that the cover of the nylon cutting head is secured to the housing properly as described below. Failure to properly secure the cover may cause the nylon cutting head to fly apart resulting in serious personal injury.

Replace the nylon cord if it is not fed any more. The method of replacing the nylon cord varies depending on the type of the nylon cutting head.

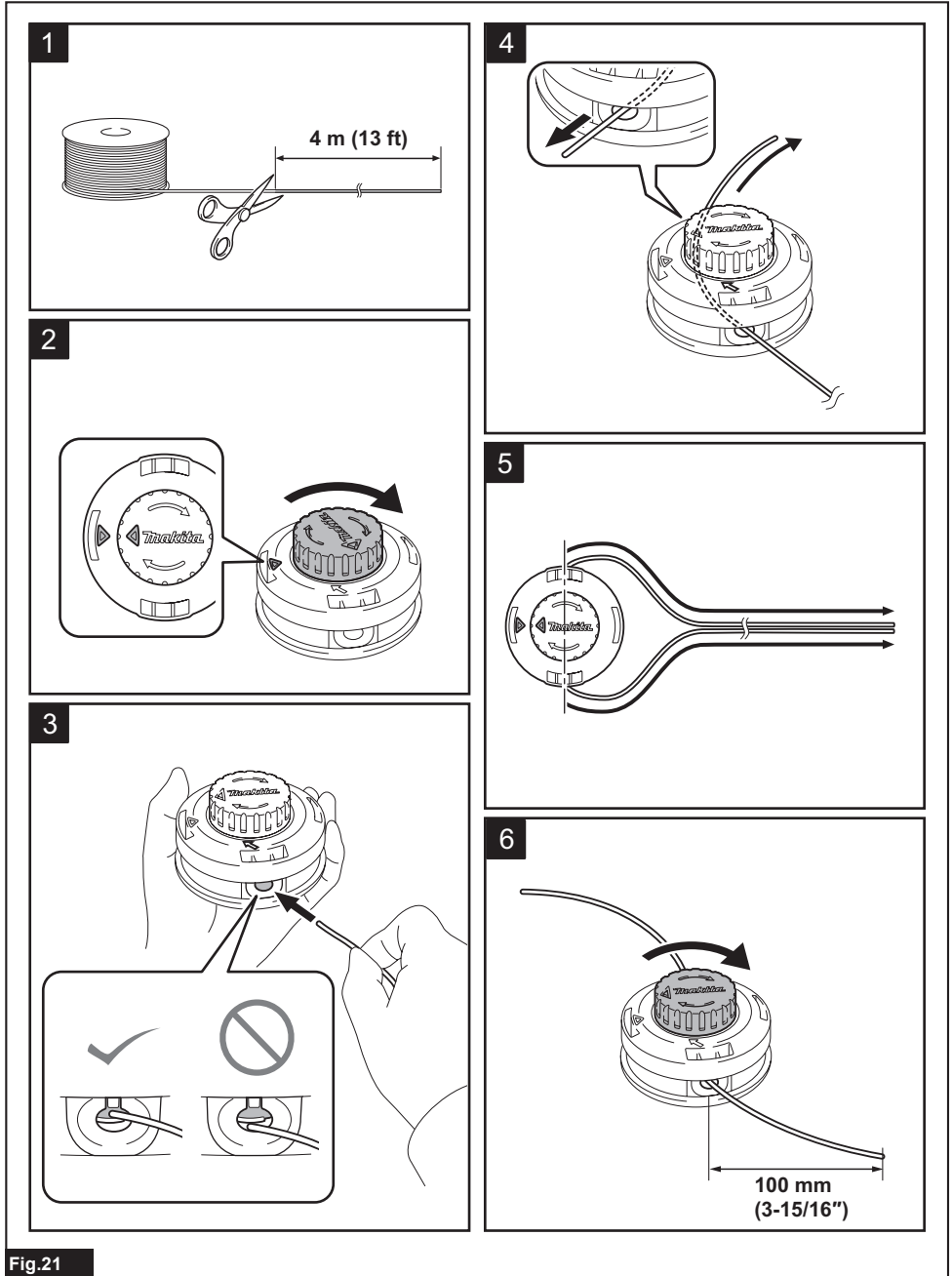


Fig.21

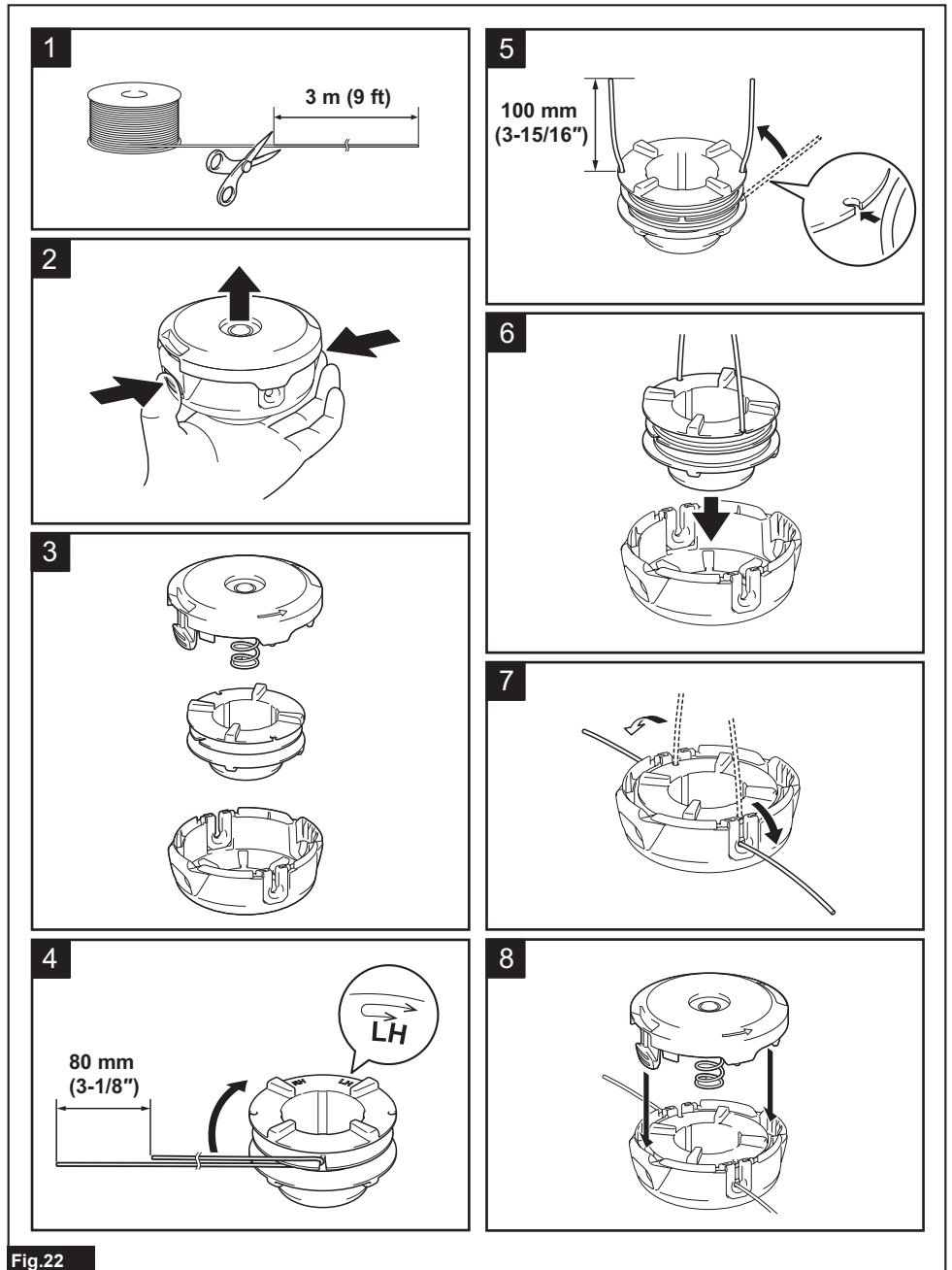


Fig.22

TROUBLESHOOTING

Before asking for repairs, conduct your own inspection first. If you find a problem that is not explained in the manual, do not attempt to dismantle the tool. Instead, ask Makita Authorized Service Centers, always using Makita replacement parts for repairs.

State of abnormality	Probable cause (malfunction)	Remedy
Motor does not run.	Battery cartridge is not installed.	Install the battery cartridge.
	Battery problem (under voltage)	Recharge the battery cartridge. If recharging is not effective, replace battery cartridge.
	The drive system does not work correctly.	Ask your local authorized service center for repair.
Motor stops running after a little use.	Battery's charge level is low.	Recharge the battery cartridge. If recharging is not effective, replace battery cartridge.
	Overheating.	Stop using of tool to allow it to cool down.
The tool does not reach maximum RPM.	Battery cartridge is installed improperly.	Install the battery cartridge as described in this manual.
	Battery power is dropping.	Recharge the battery cartridge. If recharging is not effective, replace battery cartridge.
	The drive system does not work correctly.	Ask your local authorized service center for repair.
Cutting tool does not rotate: ⇒ stop the machine immediately!	Foreign object such as a branch is jammed between the guard and the cutting tool.	Remove the foreign object.
	Cutting tool is loosely attached.	Tighten the cutting tool securely.
	The drive system does not work correctly.	Ask your local authorized service center for repair.
Abnormal vibration: ⇒ stop the machine immediately!	Broken, bent or worn cutting tool	Replace the cutting tool.
	Cutting tool is loosely attached.	Tighten the cutting tool securely.
	The drive system does not work correctly.	Ask your local authorized service center for repair.
Cutting tool and motor cannot stop: ⇒ Remove the battery immediately!	Electric or electronic malfunction.	Remove the battery cartridge and ask your local authorized service center for repair.

OPTIONAL ACCESSORIES

⚠ WARNING: Only use the recommended accessories or attachments indicated in this manual. The use of any other accessory or attachment may result in serious personal injury.

⚠ CAUTION: These accessories or attachments are recommended for use with your Makita tool specified in this manual. The use of any other accessories or attachments might present a risk of injury to persons. Only use accessory or attachment for its stated purpose.

If you need any assistance for more details regarding these accessories, ask your local Makita Service Center.

- Nylon cutting head
- Nylon cord (cutting line)
- Protector
- Makita genuine battery and charger

NOTE: Some items in the list may be included in the tool package as standard accessories. They may differ from country to country.

MAKITA LIMITED WARRANTY

Please refer to the annexed warranty sheet for the most current warranty terms applicable to this product. If annexed warranty sheet is not available, refer to the warranty details set forth at below website for your respective country.

United States of America: www.makitatools.com

Canada: www.makita.ca

Other countries: www.makita.com

SPÉCIFICATIONS

Modèle :		UR008G
Type de poignée		Poignée annulaire
Vitesse à vide (à chaque niveau de vitesse de rotation)		3 : 0 - 6 000/min 2 : 0 - 4 600/min 1 : 0 - 4 000/min
Longueur totale (sans outil de coupe et batterie)		1 803 mm (71")
Diamètre du fil de nylon		2,0 - 2,3 mm (0,08" - 0,09")
Outil de coupe approprié et diamètre de coupe	Tête à fils de nylon (Numéro de pièce 191D89-4) (Numéro de pièce 198893-8)	430 mm (17")
Tension nominale		C.C. 36 V - 40 V max
Poids net		5,0 - 6,3 kg (11,0 - 13,9 lbs)

- Étant donné l'évolution constante de notre programme de recherche et développement, les spécifications contenues dans ce manuel sont sujettes à modification sans préavis.
- Les spécifications peuvent varier suivant les pays.
- Le poids peut varier selon les accessoires, y compris la batterie. La plus légère et la plus lourde combinaisons, selon la procédure EPTA 01/2014, sont indiquées dans le tableau.

Batteries et chargeurs applicables

Batterie	BL4020 / BL4025* / BL4040* / BL4050F* / BL4080F* * : Batterie recommandée
Chargeur	DC40RA / DC40RB / DC40RC

- Suivant la région où vous habitez, il se peut que certaines des batteries et certains des chargeurs énumérés ci-dessus ne soient pas disponibles.

⚠ MISE EN GARDE : Utilisez exclusivement les batteries et chargeurs énumérés ci-dessus. L'utilisation de toute autre batterie ou tout autre chargeur peut entraîner une blessure et/ou un incendie.

Source d'alimentation connectée au cordon recommandée

Support d'alimentation portable	PDC01 / PDC1200
---------------------------------	-----------------

- Suivant la région où vous habitez, il se peut que la ou les sources d'alimentation connectées au cordon énumérées ci-dessus ne soient pas disponibles.
- Avant d'utiliser la source d'alimentation connectée au cordon, lisez les instructions et indications de mise en garde qui se trouvent sur celle-ci.

CONSIGNES DE SÉCURITÉ

Consignes de sécurité importantes

⚠ MISE EN GARDE : Lors de l'utilisation d'appareils de jardinage électriques, certaines précautions élémentaires doivent toujours être prises, dont les suivantes, pour réduire les risques d'incendie, de décharge électrique et de blessure.

Veillez lire toutes les instructions

L'ignorance des mises en garde et des instructions comporte un risque de décharge électrique, d'incendie et/ou de blessure grave.

CONSERVEZ CE MODE D'EMPLOI.

Consignes générales

1. **Ne laissez jamais utiliser la machine par des personnes non familières avec ces instructions, ou par des enfants. Les réglementations locales peuvent limiter l'âge de l'opérateur.** La machine peut être dangereuse si elle est utilisée par des utilisateurs non formés ou par des enfants.
2. **Assurez-vous qu'avant de manipuler le coupe-herbe, l'utilisateur a lu le manuel d'instructions.**
3. **Utilisez le coupe-herbe avec le maximum de soin et d'attention.**

4. Utilisez le coupe-herbe seulement si vous êtes en bon état physique. Effectuez le travail calmement et prudemment. Faites preuve de bon sens et rappelez-vous que l'opérateur ou l'utilisateur est responsable des accidents ou des dangers auxquels il expose les autres personnes ou leurs biens.
5. N'utilisez jamais le coupe-herbe en cas de fatigue, de malaise, ou sous l'influence de l'alcool ou de médicaments.
6. Évitez les démarrages accidentels :
 - Avant d'installer la batterie, vérifiez que le commutateur est en position d'arrêt. Si vous insérez la batterie dans le coupe-herbe alors que le commutateur est en position de marche, vous risquez de provoquer un accident.
 - Ne transportez pas le coupe-herbe alors que votre doigt est sur le commutateur; vous risqueriez de provoquer un accident.
7. En cas de fonctionnement anormal, éteignez immédiatement le coupe-herbe.
8. Ne forcez pas l'outil. Il fonctionnera mieux et présentera moins de risques de blessure si vous respectez la vitesse de travail pour laquelle il a été conçu.
9. Ne vous étirez pas. Maintenez en tout temps une bonne prise au sol et un bon équilibre.
10. Restez vigilant - Soyez attentif à vos gestes. Faites preuve de bon sens. N'utilisez pas l'appareil lorsque vous êtes fatigué.
11. Après l'utilisation, rangez les appareils à l'intérieur.
12. Gardez les doigts à l'écart de la gâchette lorsque vous n'utilisez pas l'outil et lorsque vous changez de position de travail.

Utilisation normale de l'outil

1. Utilisez l'outil conçu pour le travail à exécuter. Le coupe-herbe sans fil est conçu uniquement pour couper l'herbe et les mauvaises herbes fines. Il ne doit être utilisé à aucune autre fin, comme le dressage de bordures ou encore pour tailler les haies, car cela comporte un risque de blessure.
2. Utilisez uniquement les accessoires et fixations recommandés par le fabricant. L'utilisation de tout autre accessoire ou fixation peut augmenter les risques de blessure.

Équipement de protection personnel

1. Portez des vêtements adéquats. La tenue portée doit être fonctionnelle et appropriée, autrement dit elle doit être ajustée et ne pas entraver les mouvements. Ne portez ni vêtements amples ni bijoux. Ils peuvent être happés par les pièces en mouvement. L'utilisation de gants épais en cuir et de chaussures robustes est recommandée lors des travaux à l'extérieur. Si vos cheveux sont longs, recouvrez-les d'un filet de protection.
2. Afin d'éviter les blessures à la tête, aux yeux, aux mains ou aux pieds et de protéger votre ouïe, vous devez porter l'équipement et les vêtements de protection indiqués ci-dessous lorsque vous utilisez l'équipement.

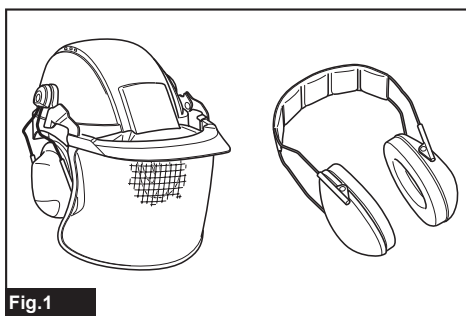


Fig. 1

3. Portez toujours un casque s'il y a un risque de chute d'objets. Le casque de protection doit être inspecté régulièrement pour s'assurer qu'il ne présente pas de dommages et il doit être remplacé au moins tous les cinq ans. Utilisez uniquement des casques de protection homologués.
4. Portez des lunettes de sécurité. La visière-écran du casque (ou à défaut les lunettes étanches) protège le visage des projections de débris et de pierres. Portez toujours des lunettes étanches ou une visière lorsque vous utilisez l'outil, afin de prévenir les blessures aux yeux.
5. Portez un équipement antibruit adéquat afin d'éviter une perte auditive (protège-oreilles, bouchons d'oreilles, etc.).



Fig. 2

6. Les combinaisons de travail vous protègent contre les blessures causées par les projections de débris et de pierres. Il est vivement conseillé à l'utilisateur de porter une combinaison de travail.
7. Parmi l'équipement recommandé, on trouve également des gants spéciaux en cuir épais, qui devraient être toujours portés lors de l'utilisation de l'outil.
8. Lorsque vous utilisez l'outil, portez toujours des chaussures robustes à semelle antidérapante. Cela vous préservera des blessures causées par les projections de débris et vous assurera une bonne prise au sol.
9. Si le travail est poussiéreux, portez un masque antipoussières.

Consignes de sécurité concernant l'alimentation et la batterie

1. Évitez les environnements dangereux. N'utilisez pas l'outil dans les endroits humides ou mouillés et ne l'exposez pas à la pluie. L'infiltration d'eau dans l'outil accroît le risque de décharge électrique.

2. **Prévenez le démarrage accidentel. Assurez-vous que l'interrupteur est en position d'arrêt avant de connecter la machine à la batterie, de la saisir ou de la transporter.** Transporter la machine avec le doigt sur l'interrupteur ou la mettre sous tension alors que son interrupteur est en position de marche ouvre la porte aux accidents.
3. **Retirez la batterie de la machine avant de procéder à des réglages, au remplacement d'accessoires ou au rangement de la machine.** De telles mesures de sécurité préventives réduisent le risque de démarrage accidentel de la machine.
4. **Ne la rechargez qu'avec le chargeur spécifié par le fabricant.** Un chargeur conçu pour un certain type de batterie risque de déclencher un incendie s'il est utilisé avec une autre batterie.
5. **N'utilisez les machines qu'avec leurs batteries spécifiques.** Les autres batteries risqueraient de vous blesser ou de provoquer un incendie.
6. **Lorsque la batterie n'est pas utilisée, tenez-la à distance des objets métalliques tels que trombones, pièces de monnaie, clés, clous, vis ou autres petits objets métalliques, conducteurs potentiels entre une borne et une autre.** Un court-circuit entre les bornes de la batterie peut provoquer des brûlures ou un incendie.
7. **Dans des conditions d'utilisation inadéquates de la batterie, il peut y avoir fuite d'électrolyte; évitez tout contact. En cas de contact accidentel, rincez avec beaucoup d'eau.** Si du liquide entre en contact avec les yeux, consultez un médecin. Le liquide qui gicle de la batterie peut provoquer des irritations ou des brûlures.
8. **N'utilisez pas une batterie ou une machine endommagée ou modifiée.** Les batteries endommagées ou modifiées peuvent se comporter de manière imprévisible et entraîner un incendie, une explosion ou un risque de blessure.
9. **N'exposez pas une batterie ou une machine au feu ou à une température excessive.** L'exposition au feu ou à une température supérieure à 130 °C (265 °F) peut provoquer une explosion.
10. **Suivez toutes les instructions de charge et ne chargez pas la batterie ou la machine à l'extérieur de la plage de température spécifiée dans les instructions.** Effectuer la charge de manière inadéquate ou à une température hors de la plage spécifiée peut endommager la batterie et faire augmenter le risque d'incendie.
11. **L'entretien doit être confié à un réparateur qualifié et n'utilisant que des pièces de rechange identiques aux pièces d'origine.** Cela assurera le maintien du produit dans un état sécuritaire.
12. **Ne modifiez pas et n'essayez pas de réparer la machine ou la batterie autrement que tel qu'indiqué dans les instructions d'utilisation et d'entretien.**
13. **Ne jetez pas la/les batterie(s) au feu.** L'élément pourrait exploser. Vérifiez la réglementation de votre région pour savoir s'il existe des directives particulières sur l'élimination.
14. **N'ouvrez pas et n'endommagez pas la/les batterie(s).** L'électrolyte qui s'échappe est corrosif et peut provoquer des dommages aux yeux ou à la peau. Il peut être toxique s'il est ingéré.
15. **Ne chargez pas la batterie sous la pluie ou dans les emplacements humides.**
16. **Assurez-vous qu'il n'y a pas de câbles électriques, tuyaux d'eau, tuyaux de gaz, etc., pouvant entraîner un danger s'ils sont endommagés lors de l'utilisation de l'outil.**
17. **Ne remplacez pas la batterie avec les mains mouillées.**
18. **Ne remplacez pas la batterie sous la pluie.**
19. **Évitez de mouiller la borne de la batterie avec du liquide tel que de l'eau, ou d'immerger la batterie. Évitez de laisser la batterie sous la pluie, et de la charger, l'utiliser ou la ranger dans un endroit humide ou mouillé.** Si la borne est mouillée ou si du liquide pénètre à l'intérieur de la batterie, celle-ci peut être court-circuitée et il y a risque de surchauffe, d'incendie ou d'explosion.
20. **Après avoir retiré la batterie de l'outil ou du chargeur, veillez à fixer le couvercle de batterie à la batterie et rangez-la dans un endroit sec.**
21. **Si la batterie est mouillée, vidangez l'eau présente à l'intérieur puis essuyez la batterie avec un linge sec.** Avant d'utiliser la batterie, laissez-la sécher complètement dans un endroit sec.
22. **Ne chargez pas la batterie à l'extérieur.**
23. **Ne manipulez pas le chargeur, y compris sa fiche et ses bornes, avec les mains mouillées.**

Démarrage de l'outil

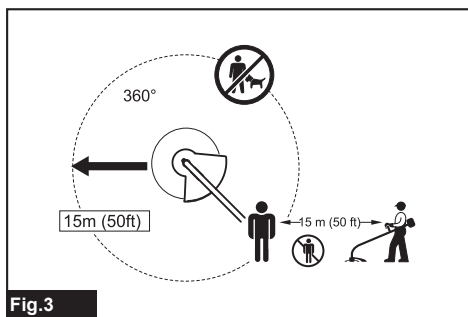


Fig.3

1. **Veillez à éloigner les enfants ou toute autre personne dans une zone de travail de 15 mètres (50 pieds), et faites également attention aux animaux présents dans cette zone.** Autrement, cessez d'utiliser l'outil.
2. **Avant de l'utiliser, vérifiez toujours que l'outil est sécuritaire.** Vérifiez si la tête à fils de nylon et le garde sont sécuritaires et si la gâchette ou le levier d'interrupteur fonctionne librement et adéquatement. Vérifiez si les poignées sont propres et sèches, et testez le fonctionnement du commutateur de marche/arrêt.

3. Vérifiez si des pièces sont endommagées avant de continuer à utiliser l'outil. Si un garde ou toute autre pièce est endommagée, examinez-la attentivement pour vérifier si elle fonctionnera adéquatement et sera en mesure de remplir sa fonction. Vérifiez que les pièces mobiles sont bien alignées et qu'elles ne sont pas coincées, qu'il n'y a pas de pièces cassées ou mal montées, et toute autre condition pouvant affecter le bon fonctionnement de l'outil. Toute pièce endommagée (garde, etc.) doit être correctement réparée ou remplacée par notre centre de service après-vente agréé, à moins d'indication contraire dans le présent manuel.
4. N'allumez le moteur qu'une fois vos mains et vos pieds à l'écart de la tête à fils de nylon.
5. Avant de démarrer l'outil, veillez à ce que la tête à fils de nylon ne touche pas d'objets durs tels que des branches, des pierres, etc., car la tête à fils de nylon tournera au moment du démarrage.
6. Retirez toute clé de réglage, clé ou couvercle avant d'allumer l'outil électrique. Laisser un accessoire sur une pièce rotative de l'outil électrique peut causer une blessure.
7. Assurez-vous qu'il n'y a pas de câbles électriques, tuyaux d'eau, tuyaux de gaz, etc., pouvant entraîner un danger s'ils sont endommagés lors de l'utilisation de l'outil.
8. N'utilisez pas un outil de coupe non recommandé par Makita.
9. N'utilisez pas l'outil par mauvais temps ou s'il y a un risque de foudre.
12. Tous les équipements de protection (gardes, etc.) fournis avec le coupe-herbe doivent être utilisés lorsque l'outil est en marche.
13. Sauf en cas d'urgence, ne laissez jamais tomber l'outil ou ne le lancez pas par terre; cela risquerait de l'endommager sérieusement.
14. Ne traînez jamais l'outil sur le sol lorsque vous allez d'un endroit à l'autre, car cela risquerait de l'endommager.
15. Retirez toujours la batterie de l'outil :
 - chaque fois que vous laissez l'outil sans surveillance;
 - avant de le débloquer;
 - avant d'examiner l'outil, de le nettoyer ou de travailler dessus;
 - chaque fois que l'outil vibre de façon anormale;
 - lorsque l'outil est transporté.
16. Assurez-vous toujours que les orifices de ventilation ne présentent pas de débris.
17. Les éléments tranchants continuent de tourner après l'arrêt du moteur.
18. N'utilisez pas les outils électriques dans les atmosphères explosives, comme en présence de liquides, gaz ou poussières inflammables. Les outils électriques produisent des étincelles qui peuvent mettre feu aux poussières ou aux émanations.
19. En cas de fatigue, prenez une pause pour éviter de perdre le contrôle de l'outil. Il est recommandé de prendre une pause de 10 à 20 minutes toutes les heures.

Mode de fonctionnement

1. Utilisez l'outil seulement avec un bon éclairage et dans de bonnes conditions de visibilité. En hiver, faites attention aux sols glissants, aux emplacements mouillés, à la glace et à la neige (risque de glissade). Assurez-vous toujours d'une bonne prise au sol.
2. Prenez garde de vous blesser aux pieds et aux mains avec la tête à fils de nylon.
3. Ne réalisez jamais de coupe plus haut que votre taille.
4. N'utilisez jamais l'outil en vous tenant sur une échelle.
5. Ne grimpez jamais dans un arbre pour y effectuer la coupe à l'aide de l'outil.
6. Ne travaillez jamais sur des surfaces instables.
7. Retirez le sable, les pierres, les clous et autres objets qui se trouvent dans la zone de travail. Des corps étrangers pourraient endommager la tête à fils de nylon.
8. Si la tête à fils de nylon heurte des pierres ou autres objets durs, coupez immédiatement le moteur et inspectez la tête à fils de nylon.
9. Avant de commencer la coupe, la tête à fils de nylon doit avoir atteint sa pleine vitesse de travail.
10. Tenez toujours l'outil à deux mains lorsqu'il est en marche. Ne tenez jamais l'outil d'une seule main lorsqu'il est en marche. Assurez-vous toujours d'une bonne prise au sol.
11. La tête à fils de nylon doit être équipée du garde. N'utilisez jamais l'outil si le garde est endommagé ou s'il n'est pas en place !
20. Ne tenez l'outil électrique que par ses surfaces de prise isolées, car l'outil de coupe peut toucher un câblage dissimulé. Le contact de l'outil de coupe avec un fil sous tension peut mettre sous tension les pièces métalliques à découvert de l'outil électrique et transmettre une décharge électrique à l'utilisateur.
21. N'utilisez pas l'outil sur des pentes abruptes.
22. Si une sangle d'épaule est fournie avec l'outil, elle doit être portée pendant l'utilisation.
23. Ne démarrez pas l'outil lorsque l'outil de coupe est empêtré dans l'herbe coupée.
24. Avant de démarrer l'outil, assurez-vous que l'outil de coupe ne touche ni le sol ni d'autres obstacles tels qu'un arbre.
25. Gardez toujours les mains, le visage et les vêtements à l'écart de l'outil de coupe pendant qu'il tourne. Autrement il y a un risque de blessure.
26. Utilisez uniquement un outil de coupe dont la vitesse indiquée est égale ou supérieure à celle indiquée sur l'outil.
27. Ne touchez pas la boîte d'engrenage pendant et immédiatement après l'exécution du travail. La boîte d'engrenage devient chaude pendant l'exécution du travail et elle peut entraîner une blessure.
28. N'utilisez pas l'outil lorsqu'il y a un risque d'éclair.
29. Lorsque vous utilisez l'outil sur un sol boueux, sur une pente mouillée ou dans un endroit glissant, faites attention à votre prise au sol.

30. Évitez de travailler dans un environnement médiocre qui risque fortement d'entraîner une fatigue accrue.
31. N'utilisez pas l'outil par mauvais temps, la visibilité étant réduite. Autrement vous risquez de provoquer une chute ou une utilisation incorrecte en raison de la mauvaise visibilité.
32. Ne submergez pas l'outil dans une flaque d'eau.
33. Ne laissez pas l'outil à l'extérieur sous la pluie.
34. Lorsque des feuilles mouillées ou des saletés adhèrent à la bouche d'aspiration (fenêtre de ventilation) à cause de la pluie, retirez-les.
35. N'utilisez pas l'outil dans la neige.
36. Balayez l'outil uniformément sur un demi-cercle de droite à gauche, comme si vous utilisiez une faux. Cela permet au bon segment de la lame d'entrer en contact avec les plantes à couper.
37. Vérifiez régulièrement l'absence de fissures ou dommages sur l'accessoire de coupe pendant l'exécution du travail. Avant de procéder à l'inspection, retirez la batterie et attendez l'arrêt complet de l'accessoire de coupe. Remplacez immédiatement tout accessoire de coupe endommagé, même s'il ne s'agit que de fissures superficielles.
8. Maintenez les poignées sèches, propres et exemptes d'huile ou de graisse. Maintenez les entrées d'air de refroidissement exemptes de débris.
9. Gardez toujours l'outil en bon état de fonctionnement. Un entretien médiocre peut entraîner un rendement inférieur et réduire la durée de service de l'outil.
10. Ne lavez pas l'outil avec de l'eau à haute pression.
11. Lorsque vous lavez l'outil, ne laissez pas l'eau entrer dans les composants mécaniques tels que la batterie, le moteur et les bornes.
12. Lorsque vous rangez l'outil, évitez la lumière directe du soleil et la pluie, et rangez-le dans un endroit ni trop chaud ni trop humide.
13. Effectuez l'inspection ou l'entretien dans un endroit à l'abri de la pluie.
14. Après avoir utilisé l'outil, retirez la saleté collée et séchez complètement l'outil avant de le ranger. Selon la saison ou la région, il y a un risque de dysfonctionnement dû au gel.
15. Avant de transporter l'outil, éteignez-le et retirez la batterie.

Vibrations

1. Les personnes dont la circulation sanguine est mauvaise courent un risque de blessure aux vaisseaux sanguins ou au système nerveux en cas d'exposition excessive aux vibrations. Les vibrations peuvent causer les symptômes suivants aux doigts, mains ou poignets : Somnolence (engourdissement), picotement, douleur, douleur lancinante, altération de la couleur de la peau ou de la peau elle-même. Si l'un ou l'autre de ces symptômes se manifeste, consultez un médecin !
2. Pour réduire le risque de « maladie du doigt mort », gardez les mains au chaud pendant l'utilisation et entretenez bien l'outil et les accessoires.

Instructions d'entretien

1. L'état de la tête à fils de nylon et des dispositifs de protection doit être vérifié avant de commencer le travail.
2. Éteignez le moteur et retirez la batterie avant de réaliser tout travail d'entretien, de remplacer la tête à fils de nylon ou le fil de nylon, ou de nettoyer l'outil.
3. Assurez-vous qu'il n'y a pas d'attaches mal serrées ni de pièces endommagées, comme des fissures sur la tête à fils de nylon.
4. Suivez les instructions concernant le graissage et le remplacement des accessoires, s'il y a lieu.
5. Lorsque vous ne l'utilisez pas, rangez l'équipement dans un emplacement intérieur sec et verrouillé ou hors de la portée des enfants.
6. N'utilisez que les pièces de rechange et accessoires recommandés par le fabricant.
7. Procédez régulièrement à l'inspection et à l'entretien de l'outil, tout particulièrement avant/après l'utilisation. Ne confiez les réparations de l'outil qu'aux centres de service après-vente agréés.

Rangement

1. Avant de ranger l'outil, procédez à son nettoyage et entretien complet. Retirez la batterie.
2. Rangez l'outil dans un emplacement sec et élevé ou verrouillé, hors de la portée des enfants.
3. N'appuyez pas l'outil contre quelque chose, par exemple un mur. Autrement, il risque de tomber soudainement et d'entraîner une blessure.

CONSERVEZ CE MODE D'EMPLOI.

▲ MISE EN GARDE : NE VOUS LAISSEZ PAS tromper (au fil d'une utilisation répétée) par un sentiment d'aisance ou de familiarité avec le produit en négligeant les consignes de sécurité qui accompagnent le produit. L'UTILISATION INCORRECTE ou l'ignorance des consignes de sécurité du présent manuel d'instructions comporte un risque de blessure grave.

▲ MISE EN GARDE : L'utilisation de ce produit peut générer des poussières contenant des substances chimiques, lesquelles peuvent causer des problèmes respiratoires ou autres maladies. Parmi ces substances chimiques figurent les composés que l'on retrouve dans les pesticides, insecticides, fertilisants et herbicides.

Les risques liés à l'exposition varient suivant la fréquence d'exécution du type de travail en question. Pour réduire votre exposition à ces substances chimiques : travaillez dans un emplacement bien aéré et avec des dispositifs de sécurité approuvés, tels que les masques antipoussières spécialement conçus pour filtrer les particules microscopiques.

Symboles

Les symboles utilisés pour l'outil sont indiqués ci-dessous.

V	volts
— — —	courant continu
n ₀	vitesse à vide
... /min r /min	tours ou alternances par minute

Consignes de sécurité importantes pour la batterie

- Avant d'utiliser la batterie, lisez toutes les instructions et les mises en garde apposées sur (1) le chargeur de batterie, (2) la batterie et (3) le produit utilisant la batterie.**
- Ne démontez pas et ne modifiez pas la batterie.** Cela peut entraîner un incendie, une chaleur excessive ou une explosion.
- Cessez immédiatement l'utilisation si le temps de fonctionnement devient excessivement court. Il y a risque de surchauffe, de brûlures, voire d'explosion.**
- Si l'électrolyte pénètre dans vos yeux, rincez-les à l'eau claire et consultez immédiatement un médecin. Il y a risque de perte de la vue.**
- Ne court-circuitez pas la batterie :**
 - Ne touchez pas les bornes avec aucun matériau conducteur.**
 - Évitez de ranger la batterie dans un conteneur avec d'autres objets métalliques tels que clous, pièces de monnaie, etc.**
 - Évitez d'exposer la batterie à l'eau ou à la pluie.**

Un court-circuit de la batterie pourrait provoquer un fort courant, une surchauffe, parfois des brûlures et même une panne.
- Ne rangez pas et n'utilisez pas l'outil ou la batterie dans des emplacements où la température peut atteindre ou dépasser 50 °C (122 °F).**
- Ne jetez pas la batterie au feu même si elle est sérieusement endommagée ou complètement épuisée. La batterie peut exploser au contact du feu.**
- Évitez de clouer, de couper, d'écraser, de lancer ou d'échapper la batterie, ou de heurter un objet dur contre la batterie. Cela peut entraîner un incendie, une chaleur excessive ou une explosion.**
- N'utilisez pas une batterie si elle est endommagée.**
- Les batteries lithium-ion fournies sont soumises aux exigences de la législation sur les marchandises dangereuses.**

Des exigences particulières sur l'emballage et l'étiquetage doivent être respectées lors du transport commercial par des tiers, des transitaires, etc.

Pour préparer la marchandise à expédier, consultez un expert en matériaux dangereux si nécessaire. Respectez aussi les éventuelles réglementations nationales plus détaillées.

Recouvrez de ruban isolant les contacts exposés, et emballez la batterie de sorte qu'elle ne puisse pas se déplacer à l'intérieur de l'emballage.

- Lors de l'élimination de la batterie, retirez-la de l'outil et éliminez-la dans un endroit sûr. Respectez la réglementation locale concernant l'élimination de la batterie.**
- N'utilisez les batteries qu'avec les produits spécifiés par Makita.** Installer les batteries sur des produits non conformes peut entraîner un incendie, une chaleur excessive, une explosion ou une fuite d'électrolyte.
- Si l'outil reste inutilisé pour une période prolongée, la batterie doit en être retirée.**
- Pendant et après l'utilisation, la batterie peut accumuler de la chaleur, ce qui peut causer des brûlures ou des brûlures à basse température. Faites attention lors de la manipulation des batteries chaudes.**
- Ne touchez pas la borne de l'outil immédiatement après l'utilisation, car elle peut être assez chaude pour causer des brûlures.**
- Ne laissez pas les copeaux, les poussières ou la terre se coincer dans les bornes, les trous et les rainures de la batterie.** Cela pourrait causer un réchauffement, un incendie, un éclatement et une défaillance de l'outil ou de la batterie et entraîner des brûlures ou des blessures corporelles.
- À moins que l'outil ne soit compatible avec l'utilisation à proximité des lignes électriques haute tension, n'utilisez pas la batterie à proximité d'une ligne électrique haute tension.** Cela peut entraîner un dysfonctionnement ou une panne de l'outil ou de la batterie.
- Gardez la batterie à l'écart des enfants.**

CONSERVEZ CES INSTRUCTIONS.

ATTENTION : Utilisez exclusivement les batteries fabriquées par Makita. Les batteries autres que celles fabriquées par Makita ou les batteries modifiées peuvent exploser et causer un incendie, une blessure ou des dommages. Cela annule aussi la garantie Makita de l'outil et du chargeur Makita.

Conseils pour maintenir la durée de service maximale de la batterie

- Rechargez la batterie avant qu'elle ne soit complètement déchargée. Arrêtez toujours l'outil et rechargez la batterie quand vous remarquez que la puissance de l'outil diminue.**
- Ne rechargez jamais une batterie complètement chargée. La surcharge réduit la durée de service de la batterie.**
- Chargez la batterie à une température ambiante comprise entre 10 °C et 40 °C (50 °F et 104 °F). Si la batterie est chaude, laissez-la refroidir avant de la charger.**
- Lorsque vous n'utilisez pas la batterie, retirez-la de l'outil ou du chargeur.**
- Chargez la batterie si elle est restée inutilisée pendant une période prolongée (plus de six mois).**

DESCRIPTION DES PIÈCES

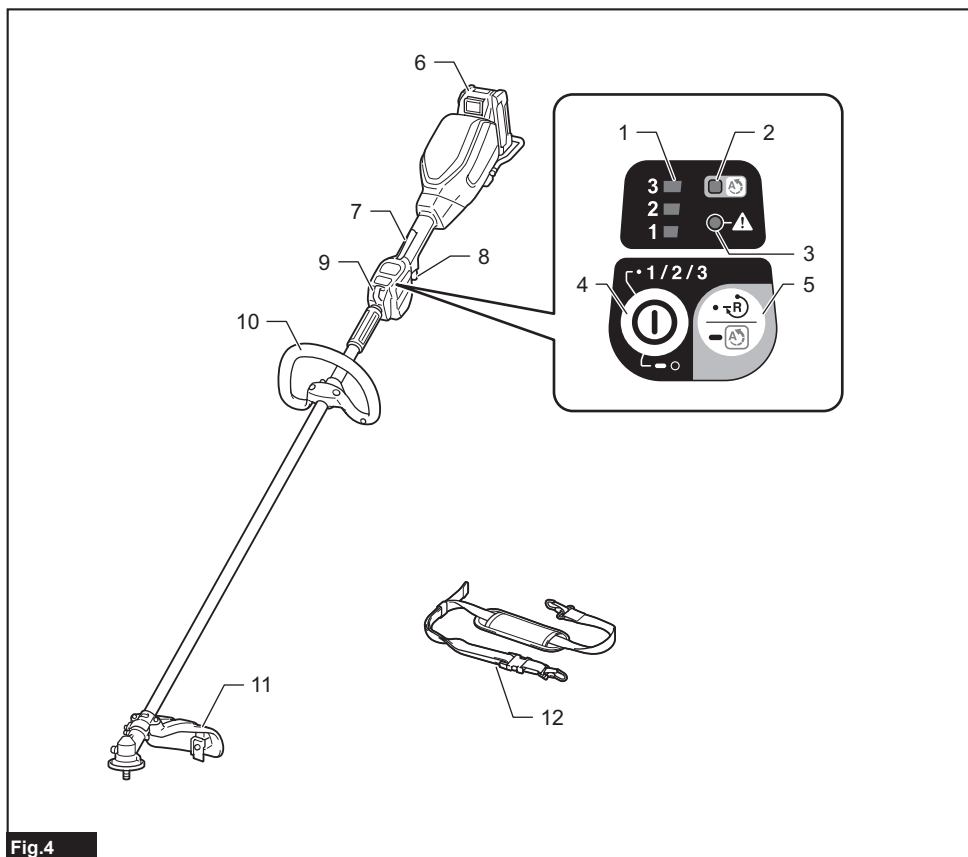


Fig.4

1	Indicateur de vitesse	2	Témoin ADT (ADT = Automatic Torque Drive Technology (technologie d'entraî- nement automatique du couple))	3	Témoin d'avertissement	4	Bouton d'alimentation principale
5	Bouton inverseur	6	Batterie	7	Levier de sécurité	8	Gâchette
9	Attache	10	Guidon	11	Protecteur	12	Sangle d'épaule

DESCRIPTION DU FONCTIONNEMENT

⚠ MISE EN GARDE : Assurez-vous toujours que l'outil est éteint et que la batterie est retirée avant d'effectuer un réglage ou de vérifier le fonctionnement de l'outil. Si vous n'éteignez pas l'outil et ne retirez pas la batterie, vous risquez de graves blessures en cas de démarrage accidentel.

Installation ou retrait de la batterie

⚠ ATTENTION : Éteignez toujours l'outil avant d'installer ou de retirer la batterie.

⚠ ATTENTION : Tenez fermement l'outil et la batterie lors de l'installation ou du retrait de cette dernière. Si l'outil et la batterie ne sont pas tenus fermement, ils risquent de vous glisser des mains et de subir des dommages, ou encore de vous blesser.

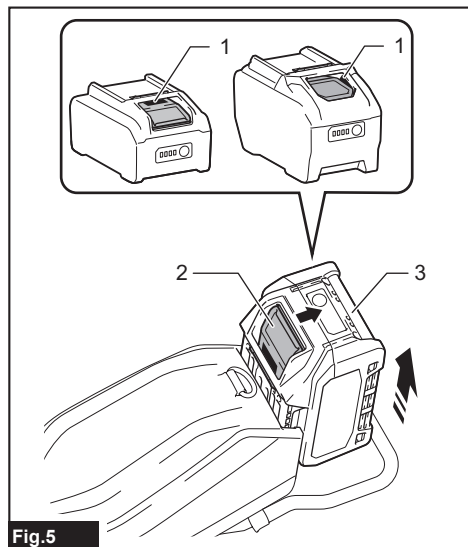


Fig.5

► 1. Indicateur rouge 2. Bouton 3. Batterie

Pour retirer la batterie, faites-la glisser hors de l'outil tout en glissant le bouton qui se trouve à l'avant.

Pour installer la batterie, alignez sa languette sur la rainure pratiquée dans le boîtier et glissez la batterie en place. Insérez-la à fond jusqu'à ce que vous entendiez un léger déclic. Si vous pouvez voir l'indicateur rouge tel qu'illustré sur la figure, cela signifie qu'elle n'est pas complètement verrouillée.

⚠ ATTENTION : Installez toujours la batterie à fond jusqu'à ce que vous ne puissiez plus voir l'indicateur rouge. Autrement elle risque de tomber accidentellement de l'outil et d'entraîner des blessures.

⚠ ATTENTION : Ne forcez pas sur la batterie pour l'installer. Si la batterie ne glisse pas facilement, c'est qu'elle n'est pas insérée correctement.

Dispositif de protection de l'outil et de la batterie

L'outil est équipé d'un dispositif de protection de l'outil et de la batterie. Ce dispositif coupe automatiquement l'alimentation du moteur pour prolonger la durée de service de l'outil et de la batterie. L'outil s'arrêtera automatiquement pendant l'utilisation s'il se trouve dans l'une ou l'autre des situations suivantes :

Témoin d'avertissement		État
Couleur	● Allumé / ● Clignotant	
Vert	●	Surcharge
Rouge	● (outil) / ● (batterie)	Surchauffe
Rouge	●	Décharge excessive

Protection contre la surcharge

Si l'outil se trouve dans l'une des situations suivantes, il s'arrête automatiquement et le témoin d'avertissement se met à clignoter en vert :

- L'outil est surchargé par des herbes ou autres débris coincés.
- L'outil de coupe est bloqué.
- Le bouton d'alimentation principale est activé pendant que la gâchette est enfoncée.

Dans cette situation, libérez la gâchette et retirez les herbes ou autres débris coincés si nécessaire. Ensuite, appuyez de nouveau sur la gâchette pour poursuivre le travail.

⚠ ATTENTION : Si vous devez retirer les herbes coincées dans l'outil ou libérer l'outil de coupe bloqué, veillez à éteindre d'abord l'outil.

Protection contre la surchauffe pour outil ou batterie

Si l'outil ou la batterie est surchauffé, l'outil s'arrête automatiquement. Lorsque l'outil est surchauffé, le témoin d'avertissement s'allume en rouge. Lorsque la batterie est surchauffée, le témoin d'avertissement clignote en rouge. Laissez refroidir l'outil et/ou la batterie avant de rallumer l'outil.

Protection contre la décharge excessive

Lorsque la charge de la batterie est basse, l'outil s'arrête automatiquement et le témoin d'avertissement se met à clignoter en rouge.

Si l'outil ne fonctionne pas même si vous activez les commutateurs, retirez la batterie de l'outil et chargez-la.

Affichage de la charge restante de la batterie

Appuyez sur le bouton de vérification de la batterie pour afficher la charge restante de la batterie. Les témoins indicateurs s'allument pendant quelques secondes.

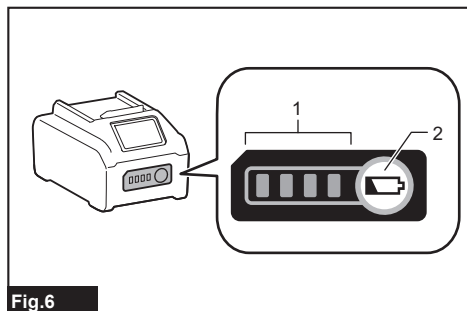


Fig.6

► 1. Témoins indicateurs 2. Bouton de vérification

Témoins indicateurs			Charge restante
Allumé	Éteint	Clignotant	
■ ■ ■ ■	□ □ □ □	□ □ □ □	75 % à 100 %
■ ■ ■ □	□ □ □ □	□ □ □ □	50 % à 75 %
■ ■ □ □	□ □ □ □	□ □ □ □	25 % à 50 %
■ □ □ □	□ □ □ □	□ □ □ □	0 % à 25 %
▬ □ □ □	□ □ □ □	□ □ □ □	Chargez la batterie.
■ ■ □ □	□ □ □ □	□ □ □ □	La batterie a peut-être mal fonctionné.
□ □ ■ ■	□ □ □ □	□ □ □ □	

NOTE : Suivant les conditions d'utilisation et la température ambiante, il se peut que l'indication soit légèrement différente de la charge réelle.

NOTE : La première lampe témoin (à l'extrémité gauche) clignote lorsque le dispositif de protection de la batterie s'active.

Interrupteur d'alimentation secteur

Appuyez sur le bouton d'alimentation principale pour allumer l'outil.
Pour éteindre l'outil, maintenez le bouton d'alimentation principale enfoncé jusqu'à ce que l'indicateur de vitesse s'éteigne.

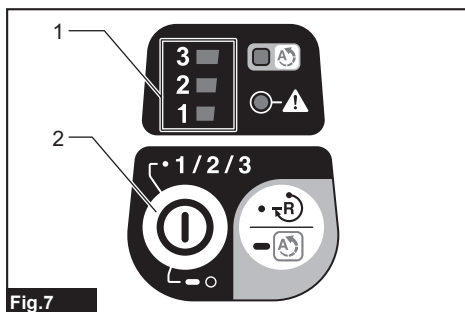


Fig.7

► 1. Indicateur de vitesse 2. Bouton d'alimentation principale

NOTE : L'outil s'éteindra automatiquement si aucune opération n'est effectuée pendant un certain temps.

Interrupteur

⚠ MISE EN GARDE : Pour votre sécurité, cet outil est équipé d'un levier de sécurité qui prévient le démarrage accidentel de l'outil. N'utilisez JAMAIS l'outil s'il s'active lorsque vous appuyez simplement sur la gâchette sans enfoncer le levier de sécurité. AVANT de le réutiliser, renvoyez l'outil à notre centre de service après-vente agréé pour faire effectuer les réparations adéquates.

⚠ MISE EN GARDE : Le levier de sécurité ne doit JAMAIS être immobilisé avec du ruban adhésif, ni modifié.

⚠ ATTENTION : Avant d'installer la batterie dans l'outil, vérifiez toujours si la gâchette fonctionne correctement et revient en position d'arrêt lorsque libérée. Si vous utilisez un outil avec une gâchette qui ne fonctionne pas correctement, vous risquez de perdre le contrôle de l'outil et de vous blesser grièvement.

⚠ ATTENTION : Ne mettez jamais le doigt sur le bouton d'alimentation principale et la gâchette pendant que vous transportez l'outil. L'outil risquerait de démarrer accidentellement et de causer une blessure.

AVIS : N'appuyez pas fortement sur la gâchette avant d'avoir enfoncé le levier de sécurité. Vous risqueriez de casser la gâchette.

Un levier de sécurité est fourni pour prévenir l'activation accidentelle de la gâchette. Pour faire démarrer l'outil, enfoncez le levier de sécurité et appuyez sur la gâchette. La vitesse de l'outil augmente à mesure que l'on augmente la pression sur la gâchette. Pour l'arrêter, libérez la gâchette.

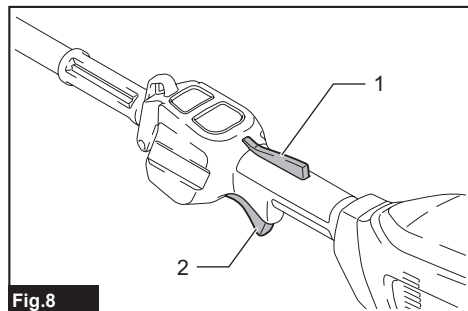


Fig.8

► 1. Levier de sécurité 2. Gâchette

Réglage de la vitesse

Vous pouvez sélectionner la vitesse de l'outil en tapant sur le bouton d'alimentation principale. Chaque fois que vous tapez sur le bouton d'alimentation principale, le niveau de vitesse change.

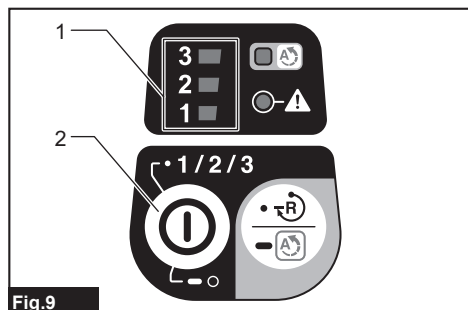


Fig.9

► 1. Indicateur de vitesse 2. Bouton d'alimentation principale

Indicateur de vitesse	Mode	Vitesse de rotation
3 █ 2 █ 1 █	Élevé	0 - 6 000/min
3 ▤ 2 ▤ 1 ▤	Moyen	0 - 4 600/min
3 ▨ 2 ▨ 1 ▨	Bas	0 - 4 000/min

Technologie d'entraînement automatique du couple

Lorsque vous activez la technologie d'entraînement automatique du couple (ADT), l'outil fonctionne avec une vitesse de rotation et un couple optimaux selon l'état de l'herbe que vous coupez.

Pour démarrer ADT, maintenez le bouton inverseur enfoncé jusqu'à ce que le témoin ADT s'allume. Pour arrêter ADT, maintenez le bouton inverseur enfoncé jusqu'à ce que le témoin ADT s'éteigne.

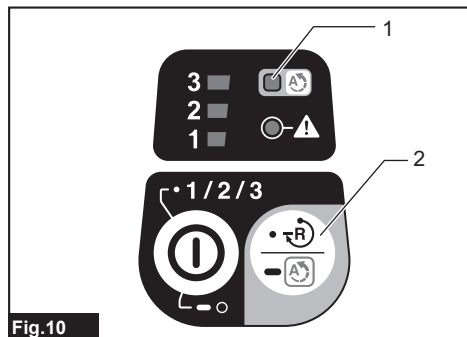



Fig.10

► 1. Témoin ADT 2. Bouton inverseur

Indicateur	Mode	Vitesse de rotation
	ADT	3 500 - 6 000/min

Bouton inverseur pour le retrait des débris

⚠ MISE EN GARDE : Éteignez l'outil et retirez la batterie avant d'enlever les herbes ou débris coincés que la fonction de rotation inversée ne permet pas d'enlever. Si vous n'éteignez pas l'outil et ne retirez pas la batterie, vous risquez de graves blessures en cas de démarrage accidentel.

Cet outil est équipé d'un bouton inverseur pour changer le sens de la rotation. Il sert uniquement à enlever les herbes et débris coincés dans l'outil.

Pour inverser la rotation, tapez sur le bouton inverseur et appuyez sur la gâchette tout en enfonçant le levier de sécurité alors que l'outil de coupe est arrêté. Les indicateurs de vitesse et le témoin ADT se mettent à clignoter, et l'outil de coupe tourne en sens inverse lorsque vous appuyez sur la gâchette.

Pour rétablir la rotation normale, relâchez la gâchette et attendez que l'outil de coupe s'arrête.

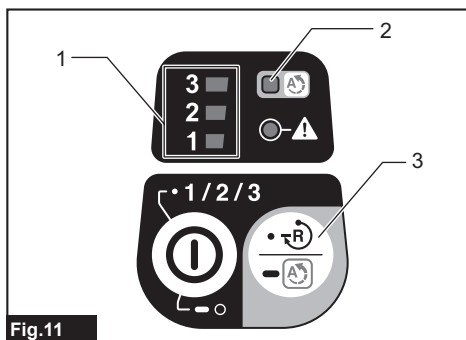


Fig.11

► 1. Indicateur de vitesse 2. Témoin ADT 3. Bouton inverseur

NOTE : Pendant la rotation inversée, l'outil ne fonctionne qu'un court moment puis s'arrête automatiquement.

NOTE : Une fois l'outil arrêté, la rotation revient dans le sens normal au démarrage suivant de l'outil.

NOTE : Si vous appuyez sur le bouton inverseur pendant que l'outil de coupe tourne encore, l'outil s'arrête et est prêt pour la rotation inversée.

Frein électrique

Cet outil est équipé d'un frein électrique. Si l'outil ne s'arrête jamais rapidement après la libération de la gâchette, faites-le réparer dans notre centre de service après-vente.

ATTENTION : Ce système de freinage ne remplace pas le protecteur. N'utilisez jamais l'outil sans le protecteur. Un outil de coupe non protégé peut causer une grave blessure.

Fonction électronique

Commande de vitesse constante

La fonction de commande de vitesse procure une vitesse de rotation constante, quelle que soit la charge.

Fonction de démarrage en douceur

La suppression du choc de démarrage permet un démarrage en douceur.

ASSEMBLAGE

ATTENTION : Assurez-vous toujours que l'outil est éteint et que la batterie est retirée avant d'effectuer toute opération sur l'outil. Si vous n'éteignez pas l'outil et ne retirez pas la batterie, vous risquez de graves blessures en cas de démarrage accidentel.

ATTENTION : Ne démarrez jamais l'outil s'il n'est pas complètement assemblé. L'utilisation d'un outil partiellement assemblé peut causer de graves blessures en cas de démarrage accidentel.

Pose du guidon

1. Fixez les colliers de serrage supérieur et inférieur sur l'amortisseur.
2. Mettez le guidon sur le collier de serrage supérieur et fixez-le à l'aide des boulons à tête creuse hexagonale tel qu'illustré.

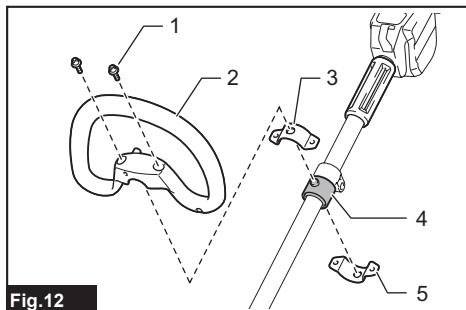


Fig.12

1. Boulon à tête creuse hexagonale
2. Guidon
3. Collier de serrage supérieur
4. Amortisseur
5. Collier de serrage inférieur

Rangement de la clé hexagonale

ATTENTION : Prenez garde de laisser la clé hexagonale insérée dans la tête de l'outil. Cela risquerait de causer une blessure et/ou d'endommager l'outil.

Lorsque vous ne l'utilisez pas, rangez la clé hexagonale tel qu'illustré pour éviter de la perdre.

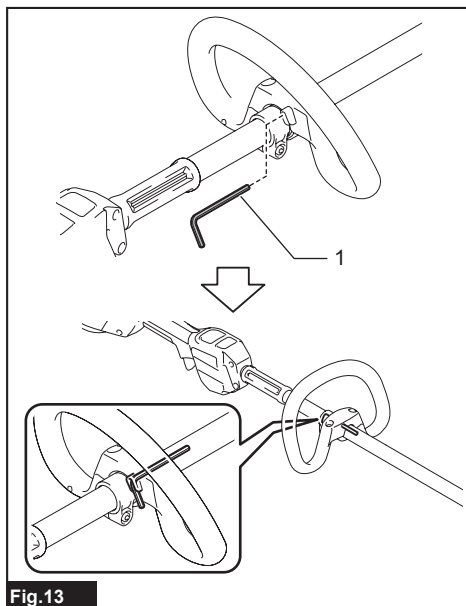
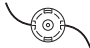



Fig.13

1. Clé hexagonale

Combinaison adéquate d'outil de coupe et de protecteur

ATTENTION : Utilisez toujours la combinaison adéquate d'outil de coupe et de protecteur. Une mauvaise combinaison risque de ne pas vous protéger contre l'outil de coupe, les débris projetés et les pierres. Cela peut également affecter l'équilibre de l'outil et entraîner une blessure.

Outil de coupe	Protecteur
Tête à fils de nylon 	

Pose du protecteur

MISE EN GARDE : N'utilisez jamais l'outil sans avoir mis en place le garde tel qu'illustré. Dans le cas contraire, vous risquez de vous blesser grièvement.

ATTENTION : Prenez garde de vous blesser sur le couteau pour fil de nylon.

Fixez le protecteur au collier de serrage à l'aide de boulons.

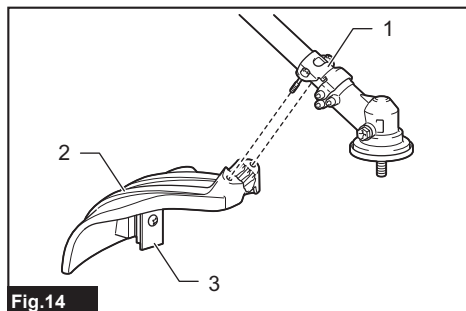


Fig.14

► 1. Collier de serrage 2. Protecteur 3. Coupe-fil

Pose de l'outil de coupe

ATTENTION : Utilisez toujours les clés fournies pour retirer ou poser l'outil de coupe.

ATTENTION : Après la pose de l'outil de coupe, veillez à retirer la clé hexagonale insérée dans la tête d'outil.

NOTE : Le type d'outil(s) de coupe fourni(s) en accessoire standard varie suivant le pays.

NOTE : Placez l'outil la tête en bas pour pouvoir remplacer facilement l'outil de coupe.

Tête à fils de nylon

AVIS : Assurez-vous d'utiliser une tête à fils de nylon Makita authentique.

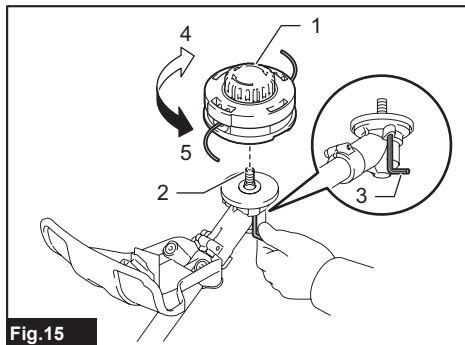


Fig.15

► 1. Tête à fils de nylon 2. Axe 3. Clé hexagonale
4. Desserrer 5. Serrer

1. Insérez la clé hexagonale dans l'orifice de la boîte d'engrenage pour verrouiller l'axe. Tournez l'axe jusqu'à ce que la clé hexagonale soit insérée à fond.

2. Placez la tête à fils de nylon sur l'axe et serrez-la fermement manuellement.

3. Retirez la clé hexagonale de la boîte d'engrenage. Pour retirer la tête à fils de nylon, suivez les étapes de l'installation en sens inverse.

UTILISATION

Pose de la sangle d'épaule

MISE EN GARDE : Redoublez de prudence pour garder le contrôle de l'outil en tout temps. Ne laissez pas l'outil dévier vers vous ou vers quiconque près de la zone de travail. La perte de contrôle de l'outil peut causer de graves blessures, aussi bien à vous-même qu'aux personnes présentes.

ATTENTION : Utilisez toujours la sangle d'épaule fixée à l'outil. Avant d'exécuter le travail, ajustez la sangle d'épaule à votre taille pour éviter de vous fatiguer.

ATTENTION : Avant l'utilisation, assurez-vous que la sangle d'épaule est fixée correctement à l'attache sur l'outil.

ATTENTION : Lorsque vous utilisez l'outil en combinaison avec une source d'alimentation de type sac à dos telle que le support d'alimentation portable, n'utilisez pas la sangle d'épaule comprise dans l'emballage de l'outil; utilisez plutôt la bande de suspension recommandée par Makita.

Si vous portez en même temps la sangle d'épaule comprise dans l'emballage de l'outil et la sangle d'épaule de la source d'alimentation de type sac à dos, il sera difficile de retirer l'outil ou la source d'alimentation de type sac à dos en cas d'urgence, et cela peut entraîner un accident ou une blessure. Au sujet de la bande de suspension recommandée, informez-vous auprès d'un centre de service après-vente agréé Makita.

1. Fixez le crochet de la sangle d'épaule à l'anneau et à l'attache de l'outil.

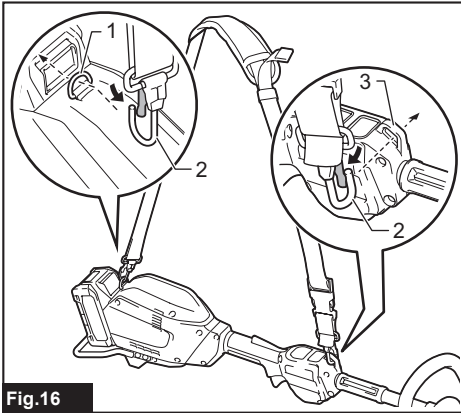


Fig.16

- 1. Anneau 2. Crochet 3. Attache

2. Mettez la sangle d'épaule sur votre épaule gauche. Réglez la sangle d'épaule sur une position de travail confortable.

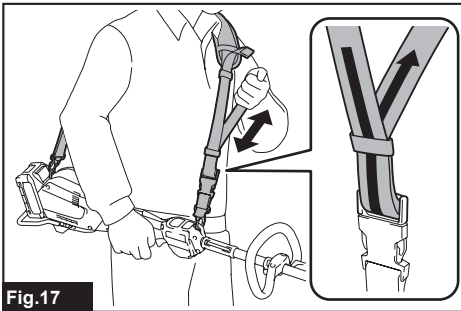


Fig.17

La sangle d'épaule est dotée d'un dispositif de retrait rapide. Pressez simplement les côtés de la boucle tout en tenant l'outil pour libérer l'outil de la sangle d'épaule.

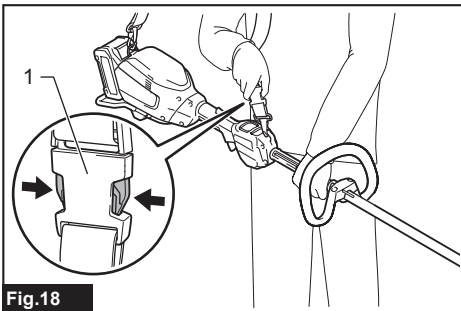


Fig.18

- 1. Boucle

Manipulation adéquate de l'outil

⚠ MISE EN GARDE : Placez toujours l'outil sur votre flanc droit. Le bon positionnement de l'outil assure un contrôle maximal et réduit les risques de blessure grave.

⚠ MISE EN GARDE : Redoublez de prudence pour garder le contrôle de l'outil en tout temps. Ne laissez pas l'outil dévier vers vous ou vers quiconque près de la zone de travail. La perte de contrôle de l'outil peut causer de graves blessures, aussi bien à vous-même qu'aux personnes présentes.

⚠ MISE EN GARDE : Pour éviter les accidents, laissez plus de 15 m (50 pi) de distance entre les utilisateurs lorsqu'il y a deux utilisateurs ou plus dans une même zone de travail. Affectez également quelqu'un à la surveillance de la distance entre les utilisateurs. Si quelqu'un ou un animal entre dans la zone de travail, cessez immédiatement l'utilisation.

⚠ ATTENTION : Si l'outil de coupe heurte accidentellement une pierre ou un objet dur pendant l'utilisation, arrêtez l'outil et vérifiez l'absence de dommages. Si l'outil de coupe est endommagé, remplacez-le immédiatement. L'utilisation d'un outil de coupe endommagé peut entraîner de graves blessures.

Un bon positionnement et une manipulation adéquate assurent un contrôle optimal et réduisent les risques de blessure.

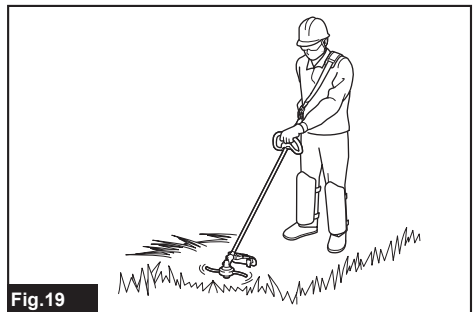


Fig.19

Lors de l'utilisation d'une tête à fils de nylon (type à frappe et alimentation)

La tête à fils de nylon est une tête de coupe d'herbe à double mécanisme à frappe et alimentation.

Pour rajouter du fil de nylon, vous devez taper la tête de coupe contre le sol alors qu'elle tourne.

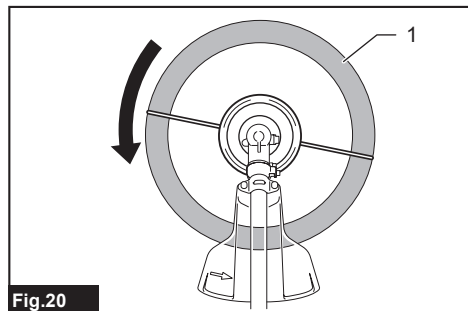


Fig.20

► 1. Zone de coupe la plus efficace

AVIS : L'alimentation à frappe ne fonctionnera pas correctement si la tête à fils de nylon ne tourne pas.

NOTE : Si le fil de nylon ne se déploie pas lorsque la tête est tapée, rembobinez ou remplacez le fil de nylon en procédant comme indiqué à la section d'entretien.

ENTRETIEN

MISE EN GARDE : Assurez-vous toujours que l'outil est éteint et que la batterie est retirée avant d'effectuer l'inspection ou l'entretien de l'outil. Si vous n'éteignez pas l'outil et ne retirez pas la batterie, vous risquez de graves blessures en cas de démarrage accidentel.

AVIS : N'utilisez jamais d'essence, de benzine, de solvant, d'alcool ou autres produits similaires. Une décoloration, une déformation ou la formation de fissures peuvent en découler.

Pour maintenir la SÉCURITÉ et la FIABILITÉ du produit, les réparations et tout autre travail d'entretien ou de réglage doivent être effectués dans un centre de service après-vente autorisé ou une usine Makita, exclusivement avec des pièces de rechange Makita.

Nettoyage de l'outil

Nettoyez l'outil en essuyant les poussières, saletés ou brins d'herbe coupés à l'aide d'un linge sec ou d'un linge trempé dans l'eau savonneuse puis essoré. Pour éviter la surchauffe de l'outil, pensez à retirer les brins d'herbe coupés ou débris qui adhèrent aux orifices d'aération de l'outil.

Remplacement du fil de nylon

MISE EN GARDE : Utilisez uniquement le fil de nylon du diamètre spécifié dans ce manuel d'instructions. N'utilisez jamais un fil plus gros, un fil métallique, une corde, etc. Autrement, cela risque d'endommager l'outil et d'entraîner une grave blessure.

MISE EN GARDE : Lorsque vous remplacez le fil de nylon, retirez toujours la tête à fils de nylon de l'outil.

MISE EN GARDE : Assurez-vous que le couvercle de la tête à fils de nylon est correctement fixé au boîtier, comme décrit ci-dessous. Si le couvercle n'est pas bien fixé, la tête à fils de nylon risque de se détacher et de vous blesser grièvement.

Remplacez le fil de nylon si l'alimentation en fil ne s'effectue plus. La méthode de remplacement du fil de nylon varie suivant le type de tête à fils de nylon.

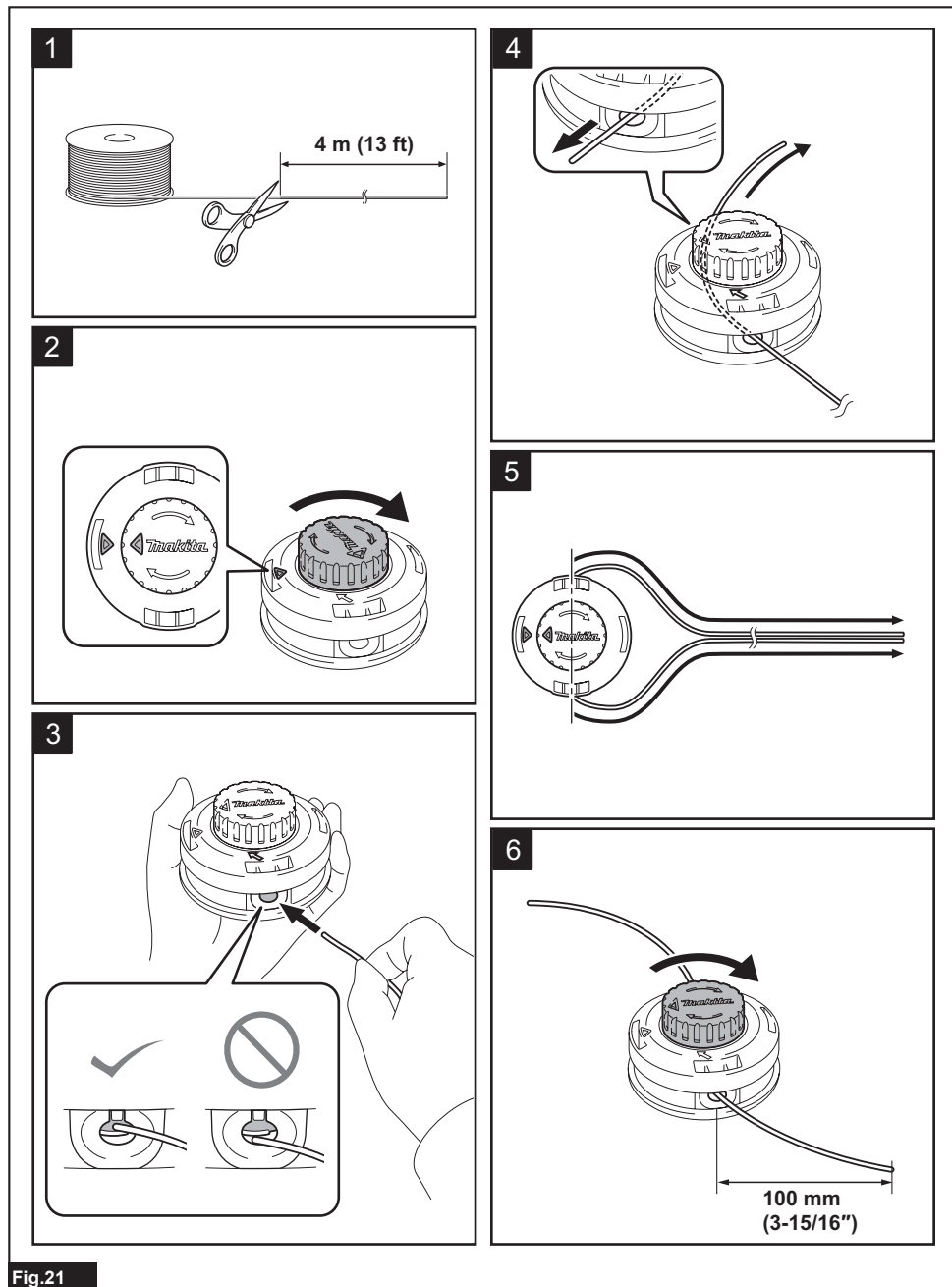


Fig.21

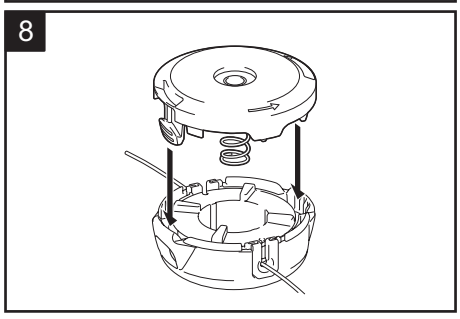
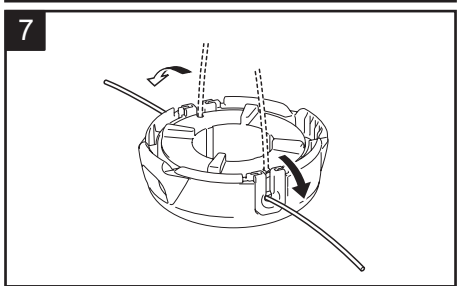
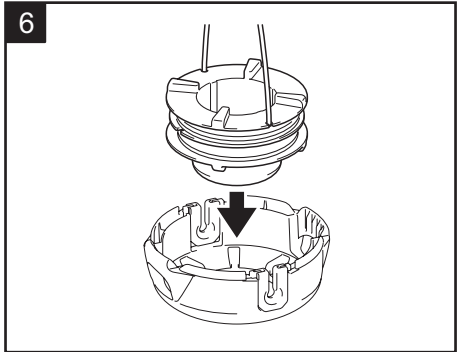
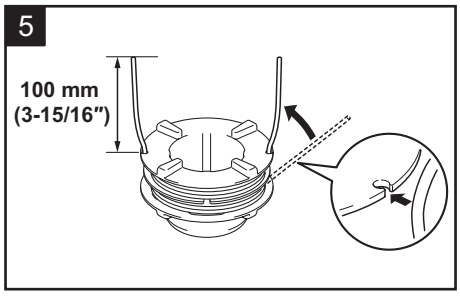
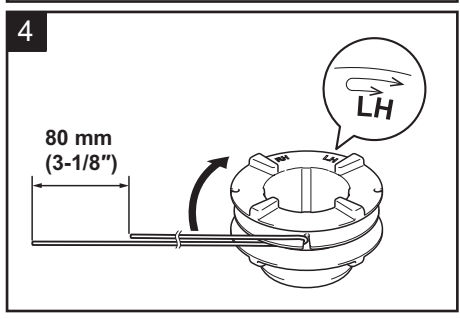
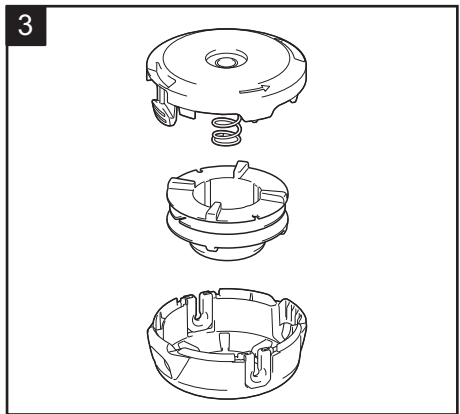
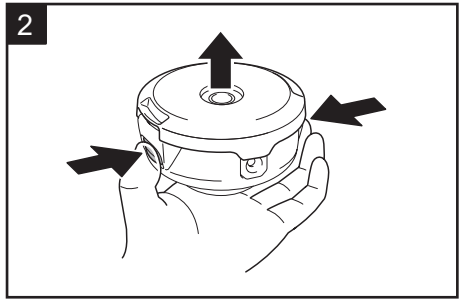
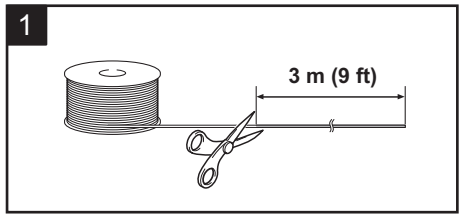


Fig.22

DÉPANNAGE

Avant de faire une demande de réparation, faites d'abord votre propre inspection. Si vous rencontrez un problème non indiqué dans ce manuel, n'essayez pas de démonter l'outil. Demandez plutôt à un centre de service après-vente Makita agréé de faire la réparation avec des pièces de rechange Makita.

État anormal	Cause probable (dysfonctionnement)	Solution
Le moteur ne tourne pas.	La batterie n'est pas installée.	Installez la batterie.
	Problème de batterie (tension insuffisante)	Rechargez la batterie. Si la recharge est sans effet, remplacez la batterie.
	Le dispositif d'entraînement ne fonctionne pas bien.	Demandez à votre centre local de service après-vente agréé d'effectuer la réparation.
Le moteur cesse de tourner au bout d'un court instant.	La charge de la batterie est faible.	Rechargez la batterie. Si la recharge est sans effet, remplacez la batterie.
	Surchauffe.	Arrêtez l'outil pour le laisser refroidir.
L'outil n'atteint pas son régime maximal.	La batterie n'est pas bien installée.	Installez la batterie tel que décrit dans ce manuel.
	La puissance de la batterie diminue.	Rechargez la batterie. Si la recharge est sans effet, remplacez la batterie.
	Le dispositif d'entraînement ne fonctionne pas bien.	Demandez à votre centre local de service après-vente agréé d'effectuer la réparation.
L'outil de coupe ne tourne pas : ⇒ arrêtez immédiatement la machine !	Un corps étranger tel qu'une branche est coincé entre le garde et l'outil de coupe.	Retirez le corps étranger.
	L'outil de coupe est mal serré.	Serrez l'outil de coupe fermement.
	Le dispositif d'entraînement ne fonctionne pas bien.	Demandez à votre centre local de service après-vente agréé d'effectuer la réparation.
Vibration anormale : ⇒ arrêtez immédiatement la machine !	Outil de coupe cassé, gauchi ou usé	Remplacez l'outil de coupe.
	L'outil de coupe est mal serré.	Serrez l'outil de coupe fermement.
	Le dispositif d'entraînement ne fonctionne pas bien.	Demandez à votre centre local de service après-vente agréé d'effectuer la réparation.
Impossible d'arrêter l'outil de coupe et le moteur : ⇒ Retirez immédiatement la batterie !	Dysfonctionnement électrique ou électronique.	Retirez la batterie et demandez à votre centre local de service après-vente agréé d'effectuer la réparation.

ACCESSOIRES EN OPTION

⚠ MISE EN GARDE : Utilisez uniquement les accessoires ou pièces complémentaires recommandés indiqués dans ce manuel. L'utilisation d'autres accessoires ou pièces complémentaires peut entraîner une grave blessure.

⚠ ATTENTION : Ces accessoires ou pièces complémentaires sont recommandés pour l'utilisation avec l'outil Makita spécifié dans ce manuel. L'utilisation de tout autre accessoire ou pièce complémentaire peut comporter un risque de blessure. N'utilisez les accessoires ou pièces complémentaires qu'aux fins auxquelles ils ont été conçus.

Si vous désirez obtenir plus de détails sur ces accessoires, veuillez contacter le centre de service après-vente Makita le plus près.

- Tête à fils de nylon
- Fil de nylon (ligne de coupe)
- Protecteur
- Chargeur et batterie authentiques Makita

NOTE : Certains éléments de la liste peuvent être inclus avec l'outil comme accessoires standards. Ils peuvent varier suivant les pays.

GARANTIE LIMITÉE MAKITA

Pour les conditions de garantie en vigueur qui s'appliquent à ce produit, veuillez vous reporter à la feuille de garantie en annexe. Si la feuille de garantie en annexe n'est pas disponible, reportez-vous aux détails de la garantie présentés sur le site Web de votre pays, ci-dessous.

États-Unis d'Amérique: www.makitatools.com

Canada: www.makita.ca

Autres pays: www.makita.com

ESPECIFICACIONES

Modelo:		UR008G
Tipo de mango		Mango redondo
Velocidad sin carga (en cada nivel de la velocidad de rotación)		3: 0 r/min - 6 000 r/min 2: 0 r/min - 4 600 r/min 1: 0 r/min - 4 000 r/min
Longitud total (sin la herramienta de corte y la batería)		1 803 mm (71")
Diámetro del cordón de nailon		2,0 mm - 2,3 mm (0,08" - 0,09")
Herramienta de corte aplicable y diámetro de corte	Cabezal de corte de nailon (No. de pza. 191D89-4) (No. de pza. 198893-8)	430 mm (17")
Tensión nominal		c.c. 36 V - 40 V máx.
Peso neto		5,0 kg - 6,3 kg (11,0 lbs - 13,9 lbs)

- Debido a nuestro continuo programa de investigación y desarrollo, las especificaciones aquí incluidas están sujetas a cambio sin previo aviso.
- Las especificaciones pueden variar de país a país.
- El peso puede variar en función de los accesorios, incluido el cartucho de batería. En la tabla se muestra la combinación de peso más ligero y más pesado conforme al procedimiento 01/2014 de EPTA.

Cartucho de batería y cargador aplicables

Cartucho de batería	BL4020 / BL4025* / BL4040* / BL4050F* / BL4080F* * : Batería recomendada
Cargador	DC40RA / DC40RB / DC40RC

- Algunos de los cartuchos de batería y cargadores enumerados arriba podrían no estar disponibles dependiendo de su área de residencia.

⚠ ADVERTENCIA: Use únicamente los cartuchos de batería y los cargadores indicados arriba. El uso de cualquier otro cartucho de batería y cargador podría ocasionar una lesión y/o un incendio.

Fuente de alimentación conectada por cable recomendada

Unidad portátil de alimentación eléctrica	PDC01 / PDC1200
---	-----------------

- La o las fuentes de alimentación conectadas por cable enumeradas arriba podrían no estar disponibles dependiendo de su área de residencia.
- Antes de utilizar la fuente de alimentación conectada por cable, lea las instrucciones e indicaciones de precaución sobre ellas.

ADVERTENCIAS DE SEGURIDAD

Instrucciones importantes de seguridad

⚠ ADVERTENCIA: Al utilizar aparatos eléctricos de jardinería, siempre deben tomarse en cuenta las precauciones básicas de seguridad a fin de reducir el riesgo de incendio, descarga eléctrica y lesiones personales, incluyendo lo siguiente.

Lea todas las instrucciones

El no seguir las advertencias e instrucciones podrá ocasionar descargas eléctricas, incendios y/o lesiones graves.

GUARDE ESTAS INSTRUCCIONES.

Instrucciones generales

1. Nunca permita que los niños o gente que no esté familiarizada con estas instrucciones utilice la máquina. Las regulaciones locales pueden restringir la edad del operador. Es peligroso en manos de usuarios no entrenados o de niños.
2. Asegúrese de que cualquier persona que vaya a utilizar la desbrozadora haya leído primero el manual de instrucciones.

3. Use la desbrozadora con extremo cuidado y atención.
4. Opere la desbrozadora sólo si se encuentra en buena condición física. Realice todo el trabajo tranquila y cuidadosamente. Use el sentido común y tenga en cuenta que el operador o usuario es responsable de los accidentes o peligros que le ocurran a otras personas o a su propiedad.
5. Nunca opere la desbrozadora si está cansado, se siente enfermo o está bajo la influencia de alcohol o drogas.
6. Evite la puesta en marcha accidental:
 - Asegúrese de que el interruptor se encuentre en la posición de apagado antes de instalar el paquete de batería. Insertar el paquete de batería en la desbrozadora con el interruptor encendido puede provocar accidentes.
 - Cargar la desbrozadora con su dedo en el interruptor puede provocar accidentes.
7. La desbrozadora deberá apagarse inmediatamente si muestra alguna señal de operación anormal.
8. No fuerce la herramienta. Esto permitirá hacer mejor el trabajo con un menor riesgo de lesiones a la velocidad para la que fue diseñada.
9. No utilice la herramienta donde no alcance. Mantenga los pies sobre suelo firme y el equilibrio en todo momento.
10. Manténgase alerta - Preste atención a lo que está haciendo. Utilice el sentido común. No utilice el aparato cuando esté cansado.
11. Almacene los aparatos que no use en interiores.
12. Mantenga los dedos alejados del gatillo interruptor cuando no opere la herramienta y cuando pase de una posición de operación a otra.

Uso previsto de la herramienta

1. Utilice la herramienta adecuada. La desbrozadora inalámbrica está diseñada sólo para cortar césped y maleza ligera. No debe utilizarse para ningún otro propósito tal como la poda de bordes o cercos de setos, ya que esto podría causar lesiones.
2. Use sólo los accesorios y aditamentos recomendados por el fabricante. El uso de cualquier otro accesorio y aditamento puede incrementar el riesgo de lesiones.

Equipo de protección personal

1. Use una vestimenta adecuada. La vestimenta que lleve deberá ser funcional y adecuada, es decir, deberá quedar ajustada pero sin que estorbe. No use ropa floja ni alhajas. Éstas podrían engancharse en las piezas móviles. Cuando se trabaje en exteriores es recomendable usar guantes de piel gruesa y un calzado resistente. Lleve protección en el cabello para cubrirlo en caso de tenerlo largo.
2. Para evitar lesiones ya sea en la cabeza, ojos, manos o pies, así como para proteger su audición, se requiere el uso del siguiente equipo de protección y prendas protectoras durante la operación del equipo.

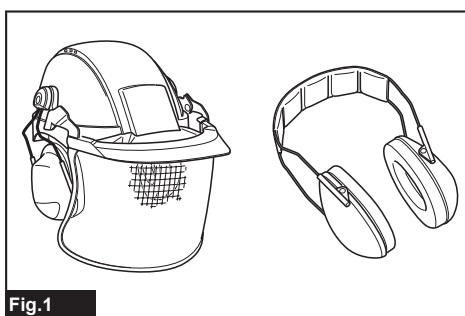


Fig.1

3. Use siempre casco donde haya riesgo de caída de objetos. El casco protector debe ser revisado durante intervalos periódicos para ver si tiene daños y debe reemplazarse al menos cada cinco años. Use sólo cascos protectores aprobados.
4. Use gafas de seguridad. El visor del casco (o gafas protectoras como alternativa) protege la cara de los residuos y piedras que salgan proyectados. Use siempre gafas protectoras o visor para evitar lesiones en los ojos durante el uso de la herramienta.
5. Use un equipo adecuado de protección contra ruido para evitar el daño auditivo (orejeras, tapones para los oídos, etc.).



Fig.2

6. Los overoles de trabajo protegen contra lesiones a causa de residuos y piedras que salgan proyectados. Es altamente recomendable que el usuario use un overol de trabajo.
7. Los guantes especiales hechos de piel gruesa forman parte del equipo recomendado y deben usarse siempre durante la operación de la herramienta.
8. Cuando utilice la herramienta, use siempre un calzado resistente con suela antiderrapante. Esto lo protegerá contra lesiones a causa de residuos que salgan proyectados y asegurará que pise firmemente.
9. Utilice una máscara contra polvo si la operación es polvorienta.

Seguridad eléctrica y de la batería

1. Evite los entornos peligrosos. No utilice la herramienta en lugares húmedos o mojados ni la esponja a la lluvia. El agua que ingrese a la herramienta incrementará el riesgo de descarga eléctrica.

2. **Evite una puesta en marcha accidental. Asegúrese de que el interruptor esté en la posición apagada antes de conectar el paquete de baterías, levantar la herramienta o cargarla.** Cargar la herramienta con su dedo en el interruptor o pasar energía a la herramienta con el interruptor encendido puede propiciar accidentes.
3. **Desconecte el paquete de baterías de la herramienta antes de hacer cualquier ajuste, cambiar accesorios o almacenar la herramienta.** Estas medidas de seguridad preventivas reducen el riesgo de poner en marcha la herramienta accidentalmente.
4. **Recargue sólo con el cargador especificado por el fabricante.** Un cargador que sea adecuado para un tipo específico de paquete de batería puede generar un riesgo de incendio al usarse con un paquete de batería distinto.
5. **Use las herramientas únicamente con los paquetes de baterías designados específicamente para ellas.** El uso de otros paquetes de baterías puede generar riesgo de lesiones e incendio.
6. **Cuando no se esté usando el paquete de batería, manténgalo alejado de otros objetos metálicos, como sujetapapeles (clips), monedas, llaves, clavos, tornillos u otros objetos pequeños de metal que puedan crear una conexión entre una terminal y otra.** Causar un cortocircuito en las terminales de la batería puede provocar quemaduras o incendio.
7. **En condiciones de mal uso, podría escapar líquido de la batería; evite el contacto. Si toca el líquido accidentalmente, enjuague con agua. Si hay contacto del líquido con los ojos, solicite atención médica.** El líquido expulsado de la batería puede causar irritación o quemaduras.
8. **No utilice un paquete de baterías o una herramienta que esté dañado/dañada o haya sido modificado/modificada.** Las baterías dañadas o modificadas podrían comportarse de manera impredecible causando un incendio, explosión o riesgo de lesión.
9. **No exponga un paquete de baterías o una herramienta al fuego o a una temperatura excesiva. La exposición al fuego a una temperatura superior a 130 °C (265 °F) podría causar una explosión.**
10. **Siga todas las instrucciones relativas a la carga y no cargue el paquete de baterías o la herramienta fuera del rango de temperatura especificado en las instrucciones.** Cargar de manera inapropiada o a temperaturas fuera del rango especificado podría dañar la batería e incrementar el riesgo de incendio.
11. **Pida que el servicio lo realice un técnico en reparaciones calificado y que utilice únicamente piezas de repuesto idénticas a las originales.** Esto garantizará que se mantenga la seguridad del producto.
12. **No modifique ni intente reparar la herramienta ni el paquete de baterías salvo como se indique en las instrucciones para el uso y cuidado.**
13. **No deseché la(s) batería(s) donde haya fuego.** La celda podría explotar. Consulte los códigos locales para ver si hay instrucciones especiales relativas al desecho.
14. **No abra ni dañe la(s) batería(s).** Los electrolitos liberados son corrosivos y pueden ocasionar daños en los ojos o la piel. Éstos pueden ser tóxicos si se llegan a tragar.
15. **No cargue la batería bajo la lluvia ni en lugares mojados.**
16. **Asegúrese de que no haya cables eléctricos, tubos de agua, tubos de gas, etc. que pudieran representar un peligro en caso de ser dañados por el uso de la herramienta.**
17. **No reemplace la batería con las manos mojadas.**
18. **No reemplace la batería bajo la lluvia.**
19. **No moje el terminal de la batería con líquidos, como el agua, ni sumerja la batería en ellos. No deje la batería bajo la lluvia, ni cargue, utilice, o guarde la batería en un lugar húmedo o mojado.** Si el terminal se moja o entra líquido dentro de la batería, la batería puede sufrir un cortocircuito, con el consiguiente riesgo de sobrecalentamiento, incendio o explosión.
20. **Después de retirar la batería de la herramienta o el cargador, asegúrese de acoplar la cubierta de la batería a la batería y de guardarla en un lugar seco.**
21. **Si el cartucho de batería se moja, drene el agua que se haya acumulado en el interior y luego límpielo con un paño seco. Seque el cartucho de batería por completo en un lugar seco antes de usarlo.**
22. **No cargue la batería en exteriores.**
23. **No manipule el cargador, incluida la la clavija del cargador, ni los terminales con las manos mojadas.**

Puesta en marcha de la herramienta

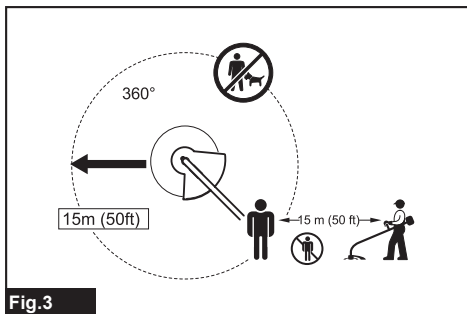


Fig. 3

1. **Asegúrese de que no haya niños ni otras personas en un rango de 15 metros (50 pies), y cuide también que no haya animales alrededor del área de trabajo.** En caso contrario, interrumpa la operación de la herramienta.
2. **Antes de usar la herramienta, revísela siempre para una operación segura.** Compruebe la seguridad del cabezal de corte de nailon y el protector, así como el gatillo interruptor/palanca para un accionamiento fácil y correcto. Revise que los mangos estén limpios y secos, y compruebe el funcionamiento del interruptor de encendido/apagado.

3. Inspeccione las piezas dañadas antes de continuar usando la herramienta. Si un protector u otra pieza están dañados, deberá revisarlos cuidadosamente para cerciorarse de que van a funcionar correctamente y realizar el trabajo para el que fueron diseñados. Verifique la alineación de las piezas móviles, la unión de las mismas, roturas de las piezas, la instalación y cualquier otra condición que pueda afectar su funcionamiento. Cualquier protector o pieza dañada deberá ser debidamente reparada o reemplazada por un centro de servicio autorizado, a menos que se indique de alguna otra forma en este manual.
4. Encienda el motor sólo cuando tenga las manos y pies alejados del cabezal de corte de nailon.
5. Antes de poner en marcha la herramienta, asegúrese de que el cabezal de corte de nailon no esté haciendo contacto con objetos duros tales como ramas, piedras, etc., ya que éste empezará a girar una vez que la ponga en marcha.
6. Retire cualquier llave de ajuste, llave de apriete o cubierta de la cuchilla antes de encender la herramienta. Cualquier accesorio que se deje puesto en una pieza giratoria de la herramienta eléctrica puede provocar lesiones personales.
7. Asegúrese de que no haya cables eléctricos, tubos de agua, tubos de gas, etc. que pudieran representar un peligro en caso de ser dañados por el uso de la herramienta.
8. No utilice una herramienta de corte que no sea recomendada por Makita.
9. No utilice la herramienta cuando haya mal tiempo o si existe el riesgo de ser alcanzado por un rayo.
10. Durante la operación, siempre sostenga la herramienta con ambas manos. Nunca sostenga la herramienta con una mano durante el uso. Siempre asegúrese de pisar suelo firme.
11. El cabezal de corte de nailon debe estar equipado con su protector. ¡Nunca ponga en marcha la herramienta con un protector dañado o que no esté colocado en su lugar!
12. Todo el equipo de protección deberá utilizarse durante la operación, tal como los protectores suministrados con la desbrozadora.
13. Salvo en caso de emergencia, nunca deje caer ni arroje la herramienta al suelo ya que podría dañarse severamente.
14. Nunca arrastre la herramienta por el suelo al moverla de un lugar a otro, ya que esto podría dañarla.
15. Siempre retire el cartucho de batería de la herramienta:
 - cada vez que la vaya a dejar desatendida;
 - antes de despejar una obstrucción;
 - antes de revisar, limpiar o trabajar en la herramienta;
 - cada vez que la herramienta comience a vibrar de manera anormal;
 - cada vez que vaya a transportar la herramienta.
16. Asegúrese siempre de que las aberturas de ventilación estén libres de residuos.
17. Los elementos de corte continúan girando una vez que el motor se haya apagado.
18. No utilice las herramientas eléctricas en atmósferas explosivas, tal como en la presencia de líquidos, gases o polvo inflamables. Las herramientas eléctricas crean chispas que pueden prender fuego al polvo o los humos.
19. Tome un descanso para evitar la pérdida de control a causa de la fatiga. Recomendamos tomar de 10 minutos a 20 minutos de descanso cada hora.
20. Sujete la herramienta eléctrica solamente por las superficies de asimiento aisladas, ya que la herramienta de corte podría entrar en contacto con cableado oculto. La herramienta de corte que entre en contacto con un cable con corriente podrá transmitirla a las partes metálicas expuestas de la herramienta eléctrica y ocasionar una descarga eléctrica al operador.
21. No utilice la herramienta en pendientes inclinadas.
22. El arnés para hombro deberá ser usado durante la operación si es que éste es suministrado junto con la herramienta.
23. No arranque la herramienta cuando la herramienta de corte quede enredada con el césped cortado.
24. Antes de arrancar la herramienta, asegúrese de que la herramienta de corte no esté tocando el suelo, así como otros obstáculos como un árbol.
25. Mantenga siempre las manos, la cara y las prendas lejos de la herramienta de corte mientras la herramienta está girando. El no hacerlo podría ocasionar una lesión personal.

Método de operación

1. Use la herramienta sólo en condiciones de buena iluminación y visibilidad. Durante la época de invierno, tenga cuidado con las áreas resbalosas o mojadas, así como con el hielo y la nieve (riesgo de resbalones). Siempre asegúrese de pisar suelo firme.
2. Tenga cuidado con el cabezal de corte de nailon para evitar lesiones en pies y manos.
3. Nunca haga cortes por encima de la altura de su cintura.
4. Nunca se coloque sobre una escalera para poner en marcha la herramienta.
5. Nunca se suba a árboles para realizar una operación de corte con la herramienta.
6. Nunca trabaje sobre superficies inestables.
7. Retire la arena, piedras, clavos, etc. que encuentre en el área de trabajo. Las partículas extrañas podrían dañar el cabezal de corte de nailon.
8. Si el cabezal de corte de nailon llega a golpear piedras u otros objetos duros, apague inmediatamente el motor e inspeccione el cabezal de corte de nailon.
9. Antes de comenzar a cortar, el cabezal de corte de nailon deberá alcanzar su velocidad de trabajo completa.

26. **Utilice únicamente la herramienta de corte marcada con una velocidad igual o mayor a la velocidad marcada en la herramienta.**
27. **No toque la caja de engranajes durante e inmediatamente después de la operación.** La caja de engranajes se calienta durante la operación y puede causar una lesión por quemadura.
28. **No utilice la herramienta cuando exista riesgo de ser alcanzado por un rayo.**
29. **Cuando utilice la herramienta sobre suelo embarrado, inclinaciones mojadas o superficies resbalosas, tenga cuidado al pisar.**
30. **Evite trabajar en un entorno deficiente donde sea probable que aumente la fatiga del usuario.**
31. **No utilice la herramienta cuando las condiciones climáticas no sean buenas y la visibilidad sea limitada.** En caso contrario se podrían ocasionar caídas u operaciones incorrectas debido a la baja visibilidad.
32. **No sumerja la herramienta en los charcos.**
33. **No deje la herramienta desatendida a la intemperie bajo la lluvia.**
34. **Cuando debido a la lluvia se adhieran hojas mojadas o tierra a la abertura de succión (ventana de ventilación), retírelas.**
35. **No utilice la herramienta en la nieve.**
36. **Oscile la herramienta con movimientos uniformes en semicírculo de derecha a izquierda, como al usar una guadaña.** Esto permitirá que el segmento de la cuchilla adecuado haga contacto con las plantas que se van a cortar.
37. **Durante la operación, inspeccione con frecuencia el aditamento de corte para comprobar si está agrietado o dañado.** Antes de la inspección, retire el cartucho de batería y espere hasta que el aditamento de corte se detenga por completo. Reemplace el aditamento de corte dañado de inmediato, incluso si solo tiene grietas superficiales.
3. **Revise si hay sujetadores que estén sueltos o piezas dañadas, tal como grietas en el cabezal de corte de nailon.**
4. **Siga las instrucciones para la lubricación y el cambio de los accesorios si aplica para el caso.**
5. **Cuando no se utilice, almacene el equipo en un lugar seco en interiores que esté bajo llave o fuera del alcance de los niños.**
6. **Utilice solamente las piezas de repuesto y los accesorios recomendados por el fabricante.**
7. **Inspeccione y dé mantenimiento a la herramienta de manera regular, especialmente antes y después del uso.** Lleve la herramienta a reparación sólo a nuestro centro de servicio autorizado.
8. **Mantenga los mangos secos, limpios, y libres de aceite y grasa.** Mantenga todas las entradas de aire despejadas de residuos.
9. **Mantenga siempre la herramienta en buenas condiciones de trabajo.** Un mantenimiento deficiente puede resultar en un desempeño inferior y la vida útil de la herramienta podría reducirse.
10. **No lave la herramienta con agua a alta presión.**
11. **Al lavar la herramienta, no permita que el agua entre en el mecanismo eléctrico, como la batería, el motor y los terminales.**
12. **Almacene la herramienta lejos de la lluvia y la luz directa del sol y en un sitio donde no haga calor ni haya humedad.**
13. **Realice las inspecciones y labores de mantenimiento en un sitio protegido de la lluvia.**
14. **Después de utilizar la herramienta, quite la suciedad adherida y séquela completamente antes de guardarla.** Dependiendo de la estación o de la zona, existe el riesgo de un mal funcionamiento por congelación.
15. **Antes de transportar la herramienta, apáguela y extraiga el cartucho de batería.**

Vibración

1. **Las personas con mala circulación que estén expuestas a una vibración excesiva podrían sufrir lesiones en los vasos sanguíneos o en el sistema nervioso.** La vibración podría causar los siguientes síntomas en los dedos, manos o muñecas: "Adormecimiento" (entumecimiento), hormigueo, dolor, sensaciones de punzadas, alteraciones en la piel o en el color de ésta. Si cualquiera de estos síntomas ocurre, ¡vaya a ver a un médico!
2. **Para reducir el riesgo de la "enfermedad del dedo blanco", mantenga sus manos calientes durante la operación y mantenga en buen estado la herramienta y los accesorios.**

Instrucciones de mantenimiento

1. **La condición del cabezal de corte de nailon, así como de los dispositivos de protección deberán ser revisados antes de iniciar la operación.**
2. **Apague el motor y quite el cartucho de batería antes de llevar a cabo operaciones de mantenimiento, reemplazo del cabezal de corte de nailon o del cordón de nailon y la limpieza de la herramienta.**

Almacenamiento

1. **Antes de almacenar la herramienta, realice una limpieza completa y déle mantenimiento.** Retire el cartucho de batería.
2. **Almacene la herramienta en un lugar seco, en alto y bajo llave fuera del alcance de los niños.**
3. **No apoye la herramienta contra algún objeto, tal como una pared.** De lo contrario, podría caer repentinamente y causar una lesión.

GUARDE ESTAS INSTRUCCIONES.

⚠️ ADVERTENCIA: NO DEJE que la comodidad o familiaridad con el producto (a base de utilizarlo repetidamente) sustituya la estricta observancia de las normas de seguridad para dicho producto. **EL MAL USO** o el no seguir las normas de seguridad establecidas en este manual de instrucciones puede ocasionar lesiones personales graves.

⚠ADVERTENCIA: El uso de este producto puede producir polvo que contenga sustancias químicas que podrían causar enfermedades respiratorias o de otro tipo. Algunos ejemplos de estas sustancias químicas son los compuestos encontrados en pesticidas, insecticidas, fertilizantes y herbicidas.

El riesgo al que se expone varía, dependiendo de la frecuencia con la que realice este tipo de trabajo. Para reducir la exposición a estas sustancias químicas: trabaje en un área bien ventilada y use un equipo de seguridad aprobado, tal como las máscaras contra polvo que están especialmente diseñadas para filtrar partículas microscópicas.

Símbolos

A continuación se muestran los símbolos utilizados para la herramienta.

V	volts o voltios
— — —	corriente directa o continua
n_0	velocidad sin carga
... /min r /min	revoluciones o alternaciones por minuto, frecuencia de rotación

Instrucciones importantes de seguridad para el cartucho de batería

- Antes de utilizar el cartucho de batería, lea todas las instrucciones e indicaciones de precaución en el (1) el cargador de batería, (2) la batería, y (3) el producto con el que se utiliza la batería.
- No desarme ni modifique el cartucho de batería. Podría ocurrir un incendio, calor excesivo o una explosión.
- Si el tiempo de operación se ha acortado en exceso, deje de operar de inmediato. Podría correrse el riesgo de sobrecalentamiento, posibles quemaduras e incluso explosión.
- En caso de que ingresen electrolitos en sus ojos, enjuáguelos bien con agua limpia y consulte de inmediato a un médico. Esto podría ocasionar pérdida de visión.
- Evite cortocircuitar el cartucho de batería:
 - No toque las terminales con ningún material conductor.
 - Evite guardar el cartucho de batería en un cajón junto con otros objetos metálicos, tales como clavos, monedas, etc.
 - No esponga el cartucho de batería al agua o la lluvia.

Un cortocircuito en la batería puede causar un flujo grande de corriente, sobrecalentamiento, posibles quemaduras e incluso una descompostura.
- No guarde ni utilice la herramienta y el cartucho de batería en lugares donde la temperatura pueda alcanzar o exceder los 50 °C (122 °F).

- Nunca incinere el cartucho de batería incluso en el caso de que esté dañado seriamente o ya no sirva en absoluto. El cartucho de batería puede explotar si se tira al fuego.
- No clave, corte, aplaste, lance o deje caer el cartucho de batería, ni golpee un objeto sólido contra el cartucho de batería. Dicha acción podría resultar en un incendio, calor excesivo o en una explosión.
- No use una batería dañada.
- Las baterías de ión de litio están sujetas a los requisitos reglamentarios en materia de bienes peligrosos. Para el transporte comercial, por ej., mediante terceros o agentes de transporte, se deben tomar en cuenta los requisitos especiales relativos al empaque y el etiquetado. Para efectuar los preparativos del artículo que se va a enviar, se requiere consultar a un experto en materiales peligrosos. Si es posible, consulte además otras regulaciones nacionales más detalladas. Pegue o cubra con cinta adhesiva los contactos abiertos y empaque la batería de manera que ésta no pueda moverse dentro del paquete.
- Para deshacerse del cartucho de batería, sáquelo de la herramienta y deséchelo en un lugar seguro. Siga las regulaciones locales relacionadas al desecho de las baterías.
- Utilice las baterías únicamente con los productos especificados por Makita. Instalar las baterías en productos que no cumplan con los requisitos podría ocasionar un incendio, un calentamiento excesivo, una explosión o una fuga de electrolito.
- Si no se utiliza la herramienta por un período largo, debe extraerse la batería de la herramienta.
- El cartucho de batería podría absorber calor durante y después de su uso, lo que ocasionaría quemaduras o quemaduras a baja temperatura. Tenga cuidado con la manipulación de los cartuchos de batería que estén calientes.
- No toque el terminal de la herramienta inmediatamente después de su uso, ya que el mismo podría estar lo suficientemente caliente como para provocarle quemaduras.
- No permita que las rebabas, el polvo o la tierra queden atrapados en los terminales, orificios y ranuras del cartucho de batería. Podría provocar calentamiento, incendio, explosión y mal funcionamiento de la herramienta o del cartucho de batería, lo que resultaría en quemaduras o lesiones personales.
- No utilice el cartucho de batería cerca de cables eléctricos de alto voltaje, a menos que la herramienta sea compatible con el uso cercano a estos cables eléctricos de alto voltaje. Esto podría ocasionar una avería o descompostura de la herramienta o del cartucho de batería.
- Mantenga la batería alejada de los niños.

GUARDE ESTAS INSTRUCCIONES.

⚠PRECAUCIÓN: Utilice únicamente baterías originales de Makita. El uso de baterías no originales de Makita, o de baterías alteradas, puede ocasionar que las baterías exploten causando un incendio, lesiones personales y daños. Asimismo, esto invalidará la garantía de Makita para la herramienta y el cargador Makita.

Consejos para alargar al máximo la vida útil de la batería

1. Cargue el cartucho de batería antes de que se descargue completamente. Pare siempre la operación y cargue el cartucho de batería cuando note menos potencia en la herramienta.
2. No cargue nunca un cartucho de batería que esté completamente cargado. La sobrecarga acortará la vida de servicio de la batería.
3. Cargue el cartucho de batería a una temperatura ambiente de 10 °C - 40 °C (50 °F - 104 °F). Si un cartucho de batería está caliente, déjelo enfriar antes de cargarlo.
4. Cuando no utilice el cartucho de batería, sáquelo de la herramienta o del cargador.
5. Cargue el cartucho de batería si no va a utilizarlo durante un período prolongado (más de seis meses).

DESCRIPCIÓN DE LAS PIEZAS

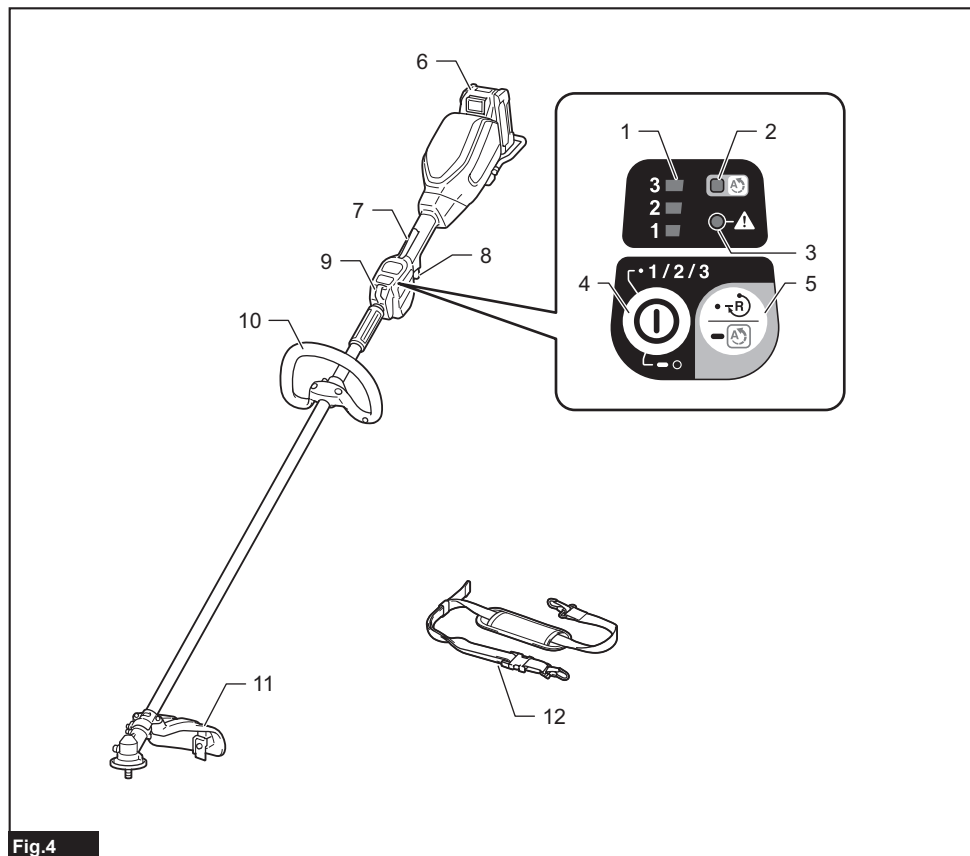


Fig.4

1	Indicador de velocidad	2	Indicador de ADT (ADT = Automatic Torque Drive Technology (Tecnología de accionamiento automático de torsión))	3	Luz indicadora de precaución	4	Botón de encendido principal
5	Botón de inversión	6	Cartucho de batería	7	Palanca de desbloqueo	8	Gatillo interruptor
9	Colgador	10	Mango	11	Protector	12	Arnés para hombro

DESCRIPCIÓN DEL FUNCIONAMIENTO

⚠️ ADVERTENCIA: Asegúrese siempre de que la herramienta esté apagada y que el cartucho de batería haya sido extraído antes de realizar cualquier ajuste o revisión del funcionamiento de la herramienta. El no seguir esta indicación de apagar y quitar el cartucho de batería puede ocasionar lesiones personales graves debido al encendido accidental.

Instalación o extracción del cartucho de batería

⚠️ PRECAUCIÓN: Apague siempre la herramienta antes de colocar o quitar el cartucho de batería.

⚠️ PRECAUCIÓN: Sujete la herramienta y el cartucho de la batería con firmeza al colocar o quitar el cartucho de batería. Si no se sujeta con firmeza la herramienta y el cartucho de batería, puede ocasionar que se resbalen de sus manos causando daños a la herramienta y al cartucho de batería, así como lesiones a la persona.

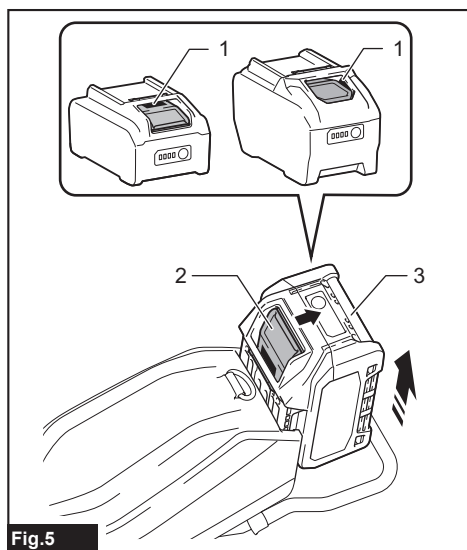


Fig.5 ► 1. Indicador rojo 2. Botón 3. Cartucho de batería

Para quitar el cartucho de batería, deslícelo de la herramienta mientras desliza el botón sobre la parte delantera del cartucho.







Para instalar el cartucho de batería, alinee la lengüeta sobre el cartucho de batería con la ranura en la carcasa y deslícela hasta su lugar. Insértelo por completo hasta que se fije en su lugar con un pequeño clic. Si puede ver el indicador rojo como se muestra en la ilustración, este no ha quedado asegurado por completo.

⚠️ PRECAUCIÓN: Introduzca siempre completamente el cartucho de batería hasta que el indicador rojo no pueda verse. Si no, podría accidentalmente salirse de la herramienta y caer al suelo causando una lesión a usted o alguien a su alrededor.

⚠️ PRECAUCIÓN: No instale el cartucho de batería a la fuerza. Si el cartucho no se desliza al interior fácilmente, se debe a que no está siendo insertado correctamente.

Sistema de protección para la herramienta/batería

La herramienta está equipada con un sistema de protección para la herramienta/batería. Este sistema corta automáticamente la alimentación al motor para prolongar la vida de la herramienta y la batería. La herramienta se detendrá automáticamente durante la operación si ésta se somete a alguna de las siguientes condiciones:

Luz indicadora de precaución		Estado
Color	Encendido  Parpadeando 	
Verde		Sobrecarga
Rojo	 (herramienta) /  (batería)	Sobrecalentamiento
Rojo		Sobredescarga

Protección contra sobrecarga

Si la herramienta presenta una de las siguientes situaciones, la herramienta se detendrá automáticamente y la luz indicadora de precaución parpadeará en color verde:

- La herramienta se sobrecarga cuando se enreda maleza u otros residuos.
- La herramienta de corte se bloquea.
- El botón de encendido principal se enciende mientras se está jalando el gatillo interruptor.

En esta situación, suelte el gatillo interruptor y quite la maleza u otros residuos enredados si es necesario. Después de esto, vuelva a jalar el gatillo interruptor para reanudar el funcionamiento.

⚠️ PRECAUCIÓN: Si necesita extraer la maleza enredada en la herramienta o liberar la herramienta de corte bloqueada, asegúrese de haber apagado la herramienta antes de iniciar.

Protección contra el sobrecalentamiento de la herramienta o la batería

Si la herramienta o el cartucho de batería se sobrecalientan, la herramienta se detendrá automáticamente. Cuando la herramienta se sobrecalienta, la luz indicadora de precaución se ilumina en rojo. Cuando el cartucho de batería se sobrecalienta, la luz indicadora de precaución parpadea en rojo. Permita que la herramienta y/o la batería se enfrién antes de volver a encender la herramienta.

Protección en caso de sobrecarga

Cuando la capacidad de la batería se reduzca, la herramienta se detendrá automáticamente y la luz indicadora de precaución empezará a parpadear en color rojo. Si la herramienta no funciona incluso cuando los interruptores están siendo operados, retire el cartucho de batería de la herramienta y cárguelo.

Indicación de la capacidad restante de la batería

Oprima el botón de verificación en el cartucho de la batería para que indique la capacidad restante de la batería. Las luces indicadoras se iluminarán por algunos segundos.

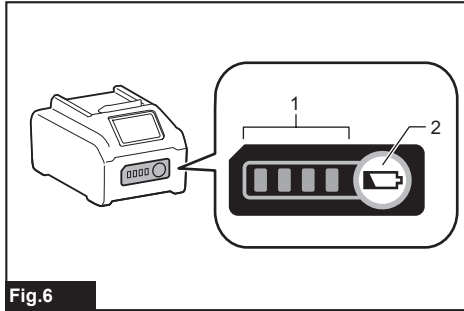


Fig.6

► 1. Luces indicadoras 2. Botón de verificación

Luces indicadoras			Capacidad restante
Iluminadas	Apagadas	Parpadeando	
■ ■ ■ ■			75% a 100%
■ ■ ■	□		50% a 75%
■ ■	□ □		25% a 50%
■	□ □ □		0% a 25%
▬	□ □ □		Cargar la batería.
■ ■ □ □	□ □		La batería pudo haber funcionado mal.
□ □ ■ ■			

NOTA: Dependiendo de las condiciones de uso y la temperatura ambiente, la indicación podrá diferir ligeramente de la capacidad real.

NOTA: La primera luz indicadora (extrema izquierda) parpadeará cuando el sistema de protección de batería esté en funcionamiento.

Interruptor de alimentación principal

Pulse el botón de encendido principal para encender la herramienta.

Para apagar la herramienta, mantenga oprimido el botón de encendido principal hasta que el indicador de velocidad se apague.

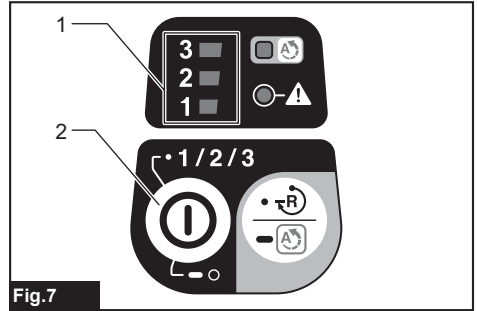


Fig.7

► 1. Indicador de velocidad 2. Botón de encendido principal

NOTA: La herramienta se apagará automáticamente si no es operada durante cierto periodo de tiempo.

Accionamiento del interruptor

⚠ADVERTENCIA: Por su seguridad, esta herramienta está equipada con una palanca de desbloqueo para prevenir un arranque no intencional de la herramienta. **NUNCA** use la herramienta si se activa simplemente al jalar el gatillo interruptor sin presionar la palanca de desbloqueo. Devuelva la herramienta a nuestro centro de servicio autorizado para que realicen las reparaciones apropiadas **ANTES** de continuar su uso.

⚠ADVERTENCIA: **NUNCA** fije con cinta adhesiva ni impida el funcionamiento ni la finalidad de la palanca de desbloqueo.

⚠PRECAUCIÓN: Antes de instalar el cartucho de batería en la herramienta, compruebe siempre que el gatillo interruptor se accione debidamente y que regrese a la posición de apagado una vez que se suelte. Usar una herramienta con un interruptor que no funciona adecuadamente puede resultar en pérdida del control ocasionando graves lesiones a la persona.

⚠PRECAUCIÓN: Nunca coloque su dedo en el botón de encendido principal y en el gatillo interruptor cuando transporte la herramienta. La herramienta podría ponerse en marcha accidentalmente y ocasionar una lesión.

AVISO: No jale fuerte el gatillo interruptor sin presionar la palanca de desbloqueo. Esto podría dañar el interruptor.

Se proporciona una palanca de desbloqueo para evitar que el gatillo interruptor sea jalado accidentalmente. Para arrancar la herramienta, presione la palanca de desbloqueo y jale el gatillo interruptor. La velocidad de la herramienta aumenta al incrementar la presión en el gatillo interruptor. Para detenerla, suelte el gatillo interruptor.

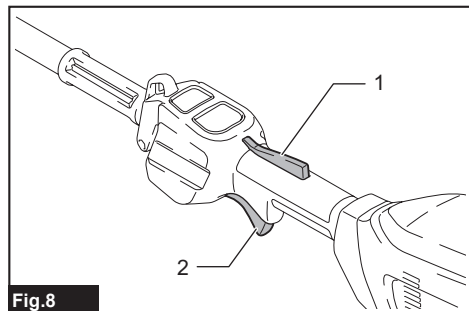


Fig.8

► 1. Palanca de desbloqueo 2. Gatillo interruptor

Ajuste de velocidad

Puede seleccionar la velocidad de la herramienta pulsando el botón de encendido principal. Cada vez que toque el botón de encendido principal, el nivel de velocidad cambiará.

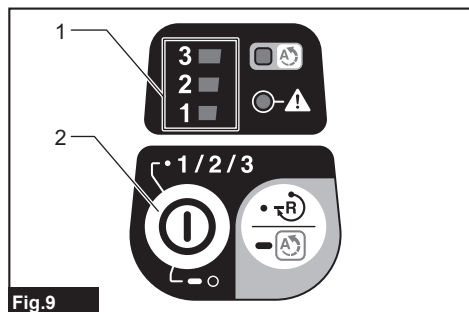


Fig.9

► 1. Indicador de velocidad 2. Botón de encendido principal

Indicador de velocidad	Modo	Velocidad de rotación
3 █ 2 █ 1 █	Alto	0 r/min - 6 000 r/min
3 ▤ 2 █ 1 █	Medio	0 r/min - 4 600 r/min
3 ▨ 2 ▤ 1 █	Bajo	0 r/min - 4 000 r/min

Tecnología de accionamiento automático de torsión

Cuando enciende la tecnología de accionamiento automático de torsión (ADT), la herramienta funciona a una velocidad de rotación y a una torsión óptimas para el tipo de césped que se está cortando.

Para encender la ADT, mantenga oprimido el botón de inversión hasta que el indicador de ADT se encienda. Para detener la ADT, mantenga oprimido el botón de inversión hasta que el indicador de ADT se apague.

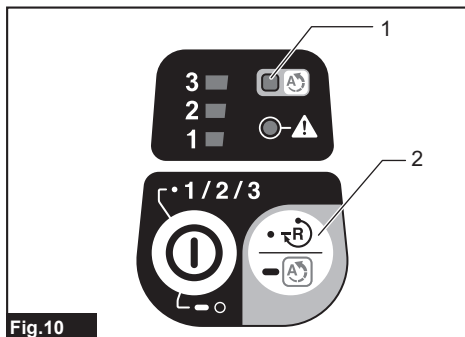


Fig.10

► 1. Indicador de ADT 2. Botón de inversión

Indicador	Modo	Velocidad de rotación
	ADT (tecnología de accionamiento automático de torsión)	3 500 r/min - 6 000 r/min

Botón de inversión para la eliminación de residuos

⚠ADVERTENCIA: Apague la herramienta y retire el cartucho de batería antes de quitar la maleza o residuos que se hayan enredado y que no se puedan quitar con la función de rotación inversa. El no seguir esta indicación de apagar y quitar el cartucho de batería puede ocasionar lesiones personales graves debido al encendido accidental.

Esta herramienta cuenta con un botón de inversión para cambiar la dirección de rotación. Su única función es la de eliminar la maleza y residuos enredados en la herramienta.

Para invertir la rotación, pulse el botón de inversión y jale el gatillo interruptor mientras oprime la palanca de desbloqueo cuando la herramienta de corte se haya detenido. Los indicadores de velocidad y el indicador de ADT comenzarán a parpadear y la herramienta de corte girará en dirección inversa al jalar el gatillo interruptor. Para regresar a la rotación normal, suelte el gatillo y espere hasta que la herramienta de corte se detenga.

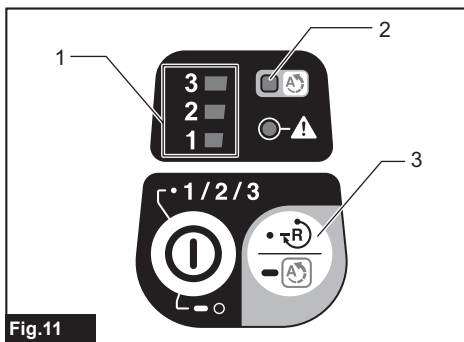


Fig.11

- 1. Indicador de velocidad 2. Indicador de ADT
3. Botón de inversión

NOTA: Durante la rotación inversa, la herramienta sólo funcionará durante un breve lapso de tiempo y luego se detendrá automáticamente.

NOTA: Una vez que se haya detenido la herramienta, la rotación regresará a la dirección normal cuando ponga nuevamente en marcha la herramienta.

NOTA: Si pulsa el botón de inversión mientras la herramienta de corte está girando, la herramienta se detendrá y se preparará para la rotación inversa.

Freno eléctrico

Esta herramienta está equipada con un freno eléctrico. Si de manera consistente la herramienta no logra detenerse rápidamente después de soltar el gatillo interruptor, lleve la herramienta a nuestro centro de servicio para que le den mantenimiento.

⚠PRECAUCIÓN: Este sistema de frenado no es un sustituto para el protector. Nunca utilice la herramienta sin el protector. El uso de una herramienta de corte sin el protector puede ocasionar graves lesiones personales.

Función eléctrica

Control de velocidad constante

La función de control de velocidad permite una rotación constante independientemente de las condiciones de carga.

Característica de inicio suave

Inicio suave debido a la supresión del choque de inicio.

MONTAJE

⚠ADVERTENCIA: Asegúrese siempre de que la herramienta esté apagada y que el cartucho de batería haya sido extraído antes de realizar cualquier trabajo en la herramienta. El no seguir esta indicación de apagar y quitar el cartucho de batería puede ocasionar lesiones personales graves debido al encendido accidental.

⚠ADVERTENCIA: Nunca arranque la herramienta a menos que se encuentre completamente ensamblada. La operación de la herramienta en un estado de ensamble parcial puede ocasionar lesiones personales graves en caso de un arranque accidental.

Instalación del mango

1. Coloque las abrazaderas superior e inferior en el amortiguador.
2. Ponga el mango en la abrazadera superior y asegúrelo con el perno de cabeza hueca hexagonal, como se muestra en la ilustración.

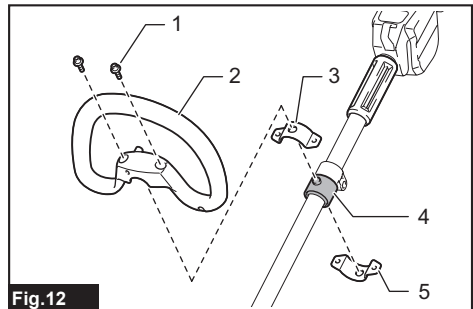


Fig.12

- 1. Perno de cabeza hueca hexagonal 2. Mango
3. Abrazadera superior 4. Amortiguador
5. Abrazadera inferior

Almacenamiento de la llave Allen (hexagonal)

⚠PRECAUCIÓN: Tenga cuidado de no dejar la llave hexagonal insertada en el cabezal de la herramienta. Esto podría ocasionar lesiones y/o daños a la herramienta.

Cuando no se utilice, guarde la llave hexagonal en su lugar tal como se muestra en la ilustración para evitar que se pierda.

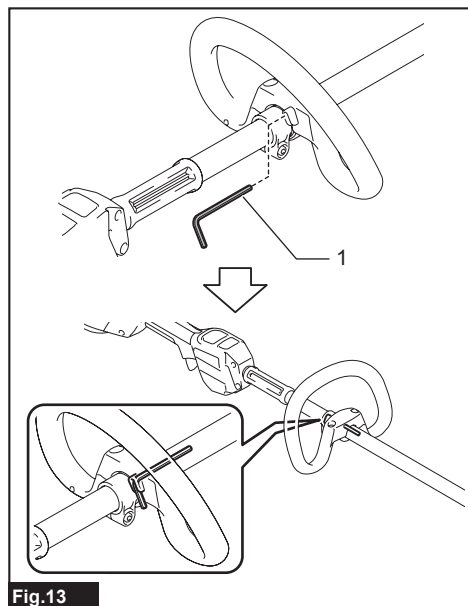
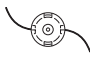



Fig.13

► 1. Llave hexagonal

Combinación correcta de la herramienta de corte y el protector

PRECAUCIÓN: Utilice siempre la combinación correcta de herramienta de corte y el protector. Una combinación incorrecta podría no protegerlo de la herramienta de corte, los residuos que salgan proyectados y las piedras. Asimismo, podría afectar el equilibrio de la herramienta y ocasionar alguna lesión.

Herramienta de corte	Protector
Cabezal de corte de nailon 	

Instalación del protector

ADVERTENCIA: Nunca utilice la herramienta sin el protector ilustrado en su lugar. El no seguir esta indicación podría causar lesiones personales graves.

PRECAUCIÓN: Tenga cuidado de no lastimarse con la cortadora al cortar el cordón de nailon.

Fije el protector a la abrazadera usando los pernos.

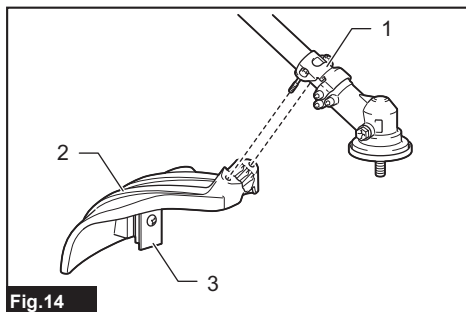


Fig.14

► 1. Abrazadera 2. Protector 3. Pieza de corte

Instalación de la herramienta de corte

PRECAUCIÓN: Utilice siempre la(s) llave(s) suministrada(s) para extraer o instalar la herramienta de corte.

PRECAUCIÓN: Tenga cuidado de extraer la llave hexagonal insertada en el cabezal de la herramienta, después de instalar la herramienta de corte.

NOTA: El tipo de herramienta(s) de corte suministrado como el aditamento estándar varía dependiendo de cada país.

NOTA: Voltee la herramienta al revés para que pueda reemplazar fácilmente la herramienta de corte.

Cabezal de corte de nailon

AVISO: Asegúrese de utilizar un cabezal de corte de nailon original de Makita.

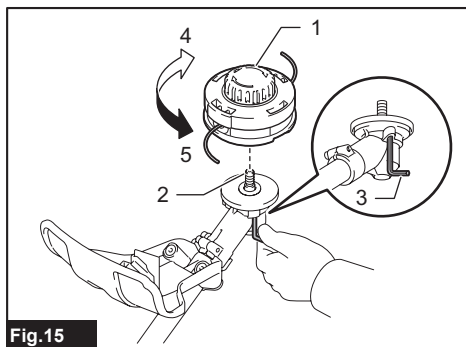


Fig.15

► 1. Cabezal de corte de nailon 2. Eje 3. Llave hexagonal 4. Aflojar 5. Apretar

1. Inserte la llave hexagonal a través del orificio en la caja de engranajes para bloquear el eje. Gire el eje hasta que la llave hexagonal se haya insertado por completo.

2. Coloque el cabezal de corte de nailon en el eje y apriételo firmemente con la mano.

3. Extraiga la llave hexagonal de la caja de engranajes. Para extraer el cabezal de corte de nailon, siga los procedimientos de instalación en orden inverso.

OPERACIÓN

Instalación del arnés para hombro

⚠ADVERTENCIA: Sea extremadamente cuidadoso en mantener el control de la herramienta en todo momento. No permita que la herramienta se desvíe hacia usted ni hacia otra persona alrededor. El no mantener el control de la herramienta podría ocasionar lesiones graves a las personas alrededor y al operador.

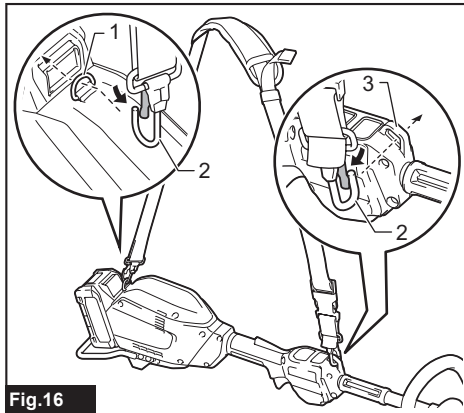
⚠PRECAUCIÓN: Siempre lleve puesto el arnés para hombro colocado en la herramienta. Antes de la operación, ajuste el arnés para hombro de acuerdo al tamaño del usuario para evitar la fatiga.

⚠PRECAUCIÓN: Antes de la operación, asegúrese de que el arnés para hombro esté colocado correctamente al colgador en la herramienta.

⚠PRECAUCIÓN: Cuando utilice la herramienta en combinación con la fuente de alimentación tipo mochila como la unidad portátil de alimentación eléctrica, no use el arnés para hombros incluido en el paquete de la herramienta, pero use la banda para colgado recomendada por Makita.

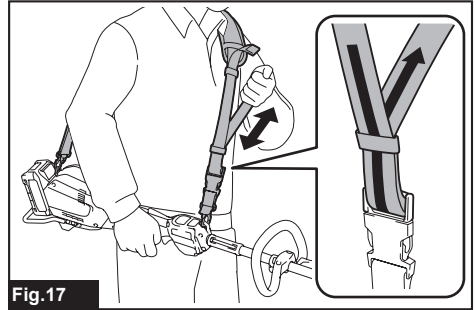
Si coloca el arnés para hombros incluido en el paquete de la herramienta y el arnés para hombros de la fuente de alimentación tipo mochila al mismo tiempo, se dificultará retirar la herramienta o la fuente de alimentación tipo mochila en caso de emergencia, y podría causar un accidente o lesión. Para la banda para colgado recomendada, pregunte a los centros de servicio autorizado de Makita.

1. Abroche el gancho del arnés para hombro en el anillo y el colgador de la herramienta.

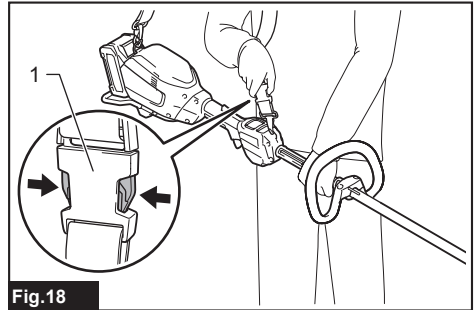


▶ 1. Anillo 2. Gancho 3. Colgador

2. Póngase el arnés para hombro en su hombro izquierdo. Ajuste el arnés para hombro en una posición cómoda para trabajar.



El arnés para hombro cuenta con un medio de liberación rápida. Simplemente apriete los lados de la hebilla mientras sostiene la herramienta, para liberar la herramienta del arnés para hombro.



▶ 1. Hebilla

Manipulación correcta de la herramienta

⚠ADVERTENCIA: Siempre coloque la herramienta de su lado derecho. El correcto posicionamiento de la herramienta permite un máximo control y reducirá el riesgo de lesiones personales graves.

⚠ADVERTENCIA: Sea extremadamente cuidadoso en mantener el control de la herramienta en todo momento. No permita que la herramienta se desvíe hacia usted ni hacia otra persona alrededor. El no mantener el control de la herramienta podría ocasionar lesiones graves a las personas alrededor y al operador.

⚠ADVERTENCIA: Cuando dos o más operadores se encuentren trabajando en una misma área, la distancia entre ellos deberá ser de más de 15 m (50 pies) para evitar un accidente. Asimismo, designe a una persona para verificar que se mantenga la distancia entre los operadores. Si alguna persona o animal llega a ingresar al área de trabajo, detenga la operación inmediatamente.

⚠PRECAUCIÓN: Si durante la operación la herramienta de corte se impacta accidentalmente contra alguna piedra u objeto duro, detenga la herramienta y revise que no haya daños. Si la herramienta de corte se daña, reemplácela de inmediato. El uso de una herramienta de corte dañada puede ocasionar lesiones personales graves.

La correcta posición y manipulación permiten un control óptimo y reducen el riesgo de lesiones.

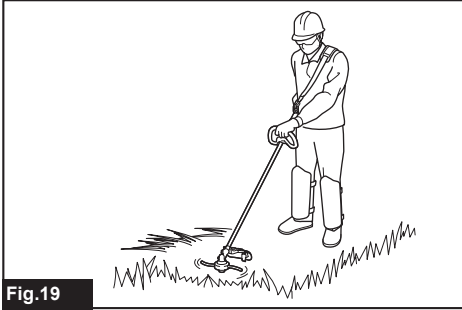


Fig. 19

Cuando utilice un cabezal de corte de nailon (de tipo golpe y alimentación)

El cabezal de corte de nailon es una cabeza de desbrozadora dual con un mecanismo de golpe y alimentación.

Para alimentar el cordón de nailon, golpee ligeramente el cabezal contra el suelo mientras esté girando.

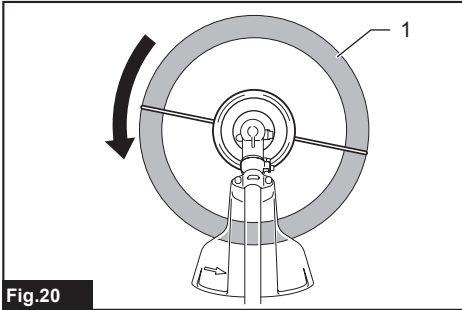


Fig. 20

► 1. Área de corte más eficaz

AVISO: La alimentación por golpe no funcionará correctamente si el cabezal de corte de nailon no se encuentra girando.

NOTA: Si la alimentación del cordón de nailon no ocurre al golpear ligeramente el cabezal, rebobine/ reemplace el cordón de nailon siguiendo los procedimientos en la sección para mantenimiento.

MANTENIMIENTO

⚠ADVERTENCIA: Asegúrese siempre de que la herramienta esté apagada y que el cartucho de batería haya sido extraído antes de intentar realizar una inspección o mantenimiento en la herramienta. El no seguir esta indicación de apagar y quitar el cartucho de batería puede ocasionar lesiones personales graves debido al encendido accidental.

AVISO: Nunca use gasolina, bencina, diluyente (tiner), alcohol o sustancias similares. Puede que esto ocasione grietas o descoloramiento.

Para mantener la SEGURIDAD y FIABILIDAD del producto, las reparaciones, y cualquier otra tarea de mantenimiento o ajuste deberán ser realizadas en centros de servicio autorizados o de fábrica Makita, empleando siempre repuestos Makita.

Limpieza de la herramienta

Limpie la herramienta quitando el polvo, la tierra o los residuos de pasto con un paño seco o un paño humedecido en agua y jabón y exprimido. Para evitar el sobrecalentamiento de la herramienta, cerciórese de retirar los residuos de pasto o los residuos adheridos a la abertura de ventilación de la herramienta.

Reemplazo del cordón de nailon

⚠ADVERTENCIA: Utilice el cordón de nailon únicamente con el diámetro especificado en este manual de instrucciones. Nunca use una línea más pesada, alambre de metal, cuerda o similares. El no hacerlo podría causar daños a la herramienta y resultar en lesiones personales graves.

⚠ADVERTENCIA: Extraiga siempre el cabezal de corte de nailon de la herramienta cuando vaya a reemplazar el cordón de nailon.

⚠ADVERTENCIA: Asegúrese de que la cubierta del cabezal de corte de nailon quede debidamente asegurada en la carcasa tal como se describe a continuación. El no asegurar debidamente la cubierta podría causar que el cabezal de corte de nailon saliera volando ocasionando lesiones personales graves.

Reemplace el cordón de nailon si su alimentación ya no es posible. El método para reemplazar el cordón de nailon varía en función del tipo de cabezal de corte de nailon.

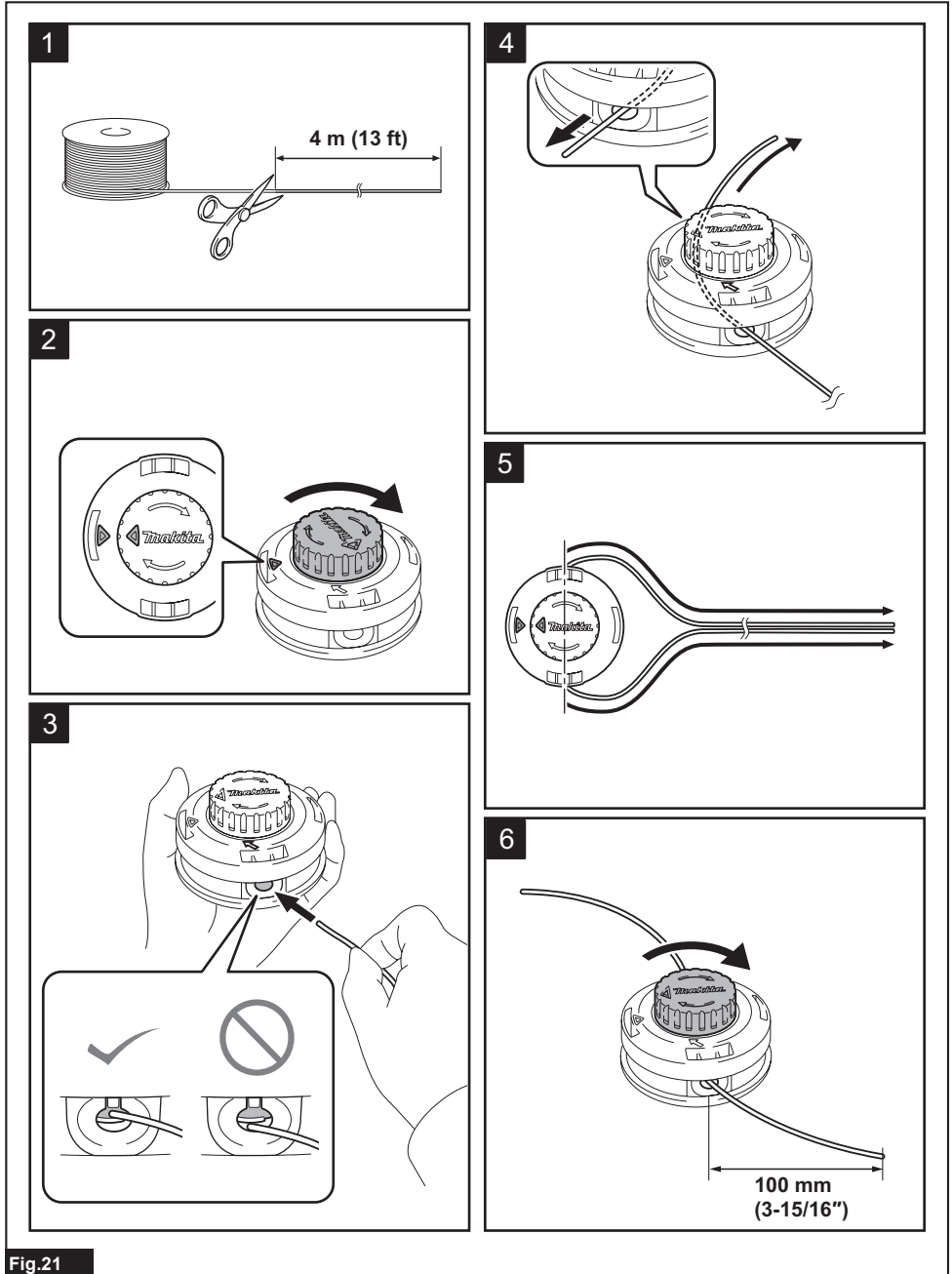


Fig.21

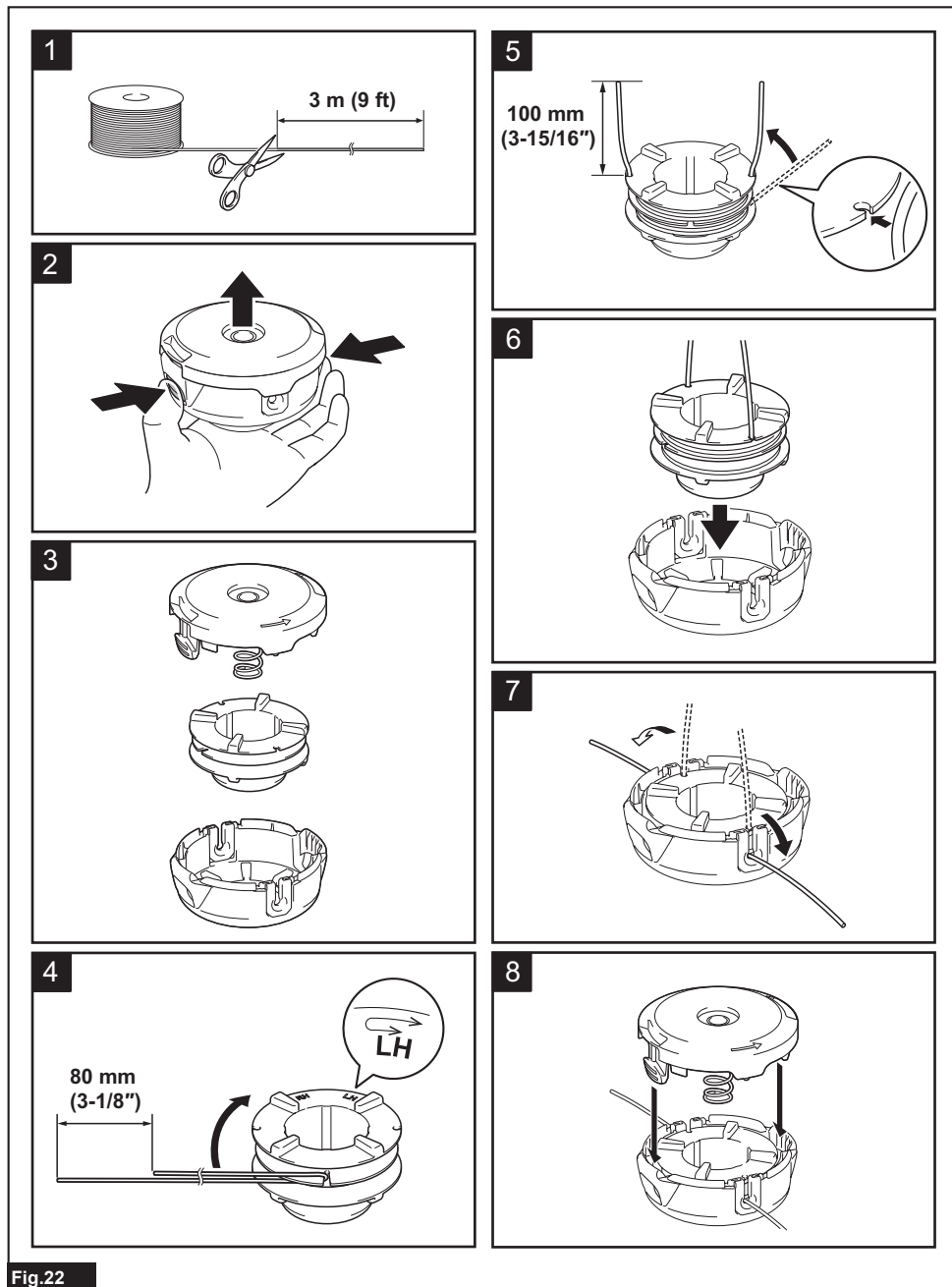


Fig.22

RESOLUCIÓN DE PROBLEMAS

Antes de solicitar alguna reparación, primero realice una inspección por su cuenta. Si detecta algún problema que no esté explicado en el manual, no intente desensamblar la herramienta. En vez de esto, solicite la reparación a un centro de servicio autorizado de Makita, usando siempre piezas de repuesto Makita.

Estado de la anomalía	Causa probable (avería)	Remedio
El motor no funciona.	El cartucho de batería no está instalado.	Instale el cartucho de batería.
	Problema con la batería (bajo voltaje)	Recargue el cartucho de batería. Si la recarga no funciona, reemplace el cartucho de batería.
	El sistema de accionamiento no funciona correctamente.	Solicite la reparación en el centro de servicio autorizado de su localidad.
El motor deja de funcionar después de un rato de uso.	El nivel de carga de la batería es bajo.	Recargue el cartucho de batería. Si la recarga no funciona, reemplace el cartucho de batería.
	Sobrecalentamiento.	Deje de usar la herramienta para permitir que se enfríe.
La herramienta no alcanza el nivel máximo de RPM.	El cartucho de batería no está instalado correctamente.	Instale el cartucho de batería como se describe en este manual.
	La potencia de la batería se está reduciendo.	Recargue el cartucho de batería. Si la recarga no funciona, reemplace el cartucho de batería.
	El sistema de accionamiento no funciona correctamente.	Solicite la reparación en el centro de servicio autorizado de su localidad.
La herramienta de corte no gira: ⇒ ¡Detenga la máquina inmediatamente!	Un objeto extraño, como una rama, está atascado entre el protector y la herramienta de corte.	Retire el objeto extraño.
	La herramienta de corte está fijada de manera suelta.	Apriete la herramienta de corte firmemente.
	El sistema de accionamiento no funciona correctamente.	Solicite la reparación en el centro de servicio autorizado de su localidad.
Vibración anormal: ⇒ ¡Detenga la máquina inmediatamente!	La herramienta de corte está rota, doblada o desgastada	Reemplace la herramienta de corte.
	La herramienta de corte está fijada de manera suelta.	Apriete la herramienta de corte firmemente.
	El sistema de accionamiento no funciona correctamente.	Solicite la reparación en el centro de servicio autorizado de su localidad.
La herramienta de corte y el motor no se pueden detener: ⇒ ¡Extraiga la batería inmediatamente!	Avería eléctrica o electrónica.	Extraiga el cartucho de batería y solicite la reparación en el centro de servicio autorizado de su localidad.

ACCESORIOS OPCIONALES

⚠ADVERTENCIA: Solo use los accesorios o aditamentos recomendados que se indican en este manual. El uso de cualquier otro accesorio o aditamento puede ocasionar lesiones personales graves.

⚠PRECAUCIÓN: Estos accesorios o aditamentos están recomendados para utilizarse con su herramienta Makita especificada en este manual. El empleo de cualquier otro accesorio o aditamento puede conllevar el riesgo de lesiones personales. Utilice los accesorios o aditamentos solamente para su fin establecido.

Si necesita cualquier ayuda para más detalles en relación con estos accesorios, pregunte a su centro de servicio local Makita.

- Cabezal de corte de nailon
- Cordón de nailon (línea de corte)

- Protector
- Batería y cargador originales de Makita

NOTA: Algunos de los artículos en la lista pueden incluirse en el paquete de la herramienta como accesorios estándar. Éstos pueden variar de país a país.

GARANTÍA LIMITADA DE MAKITA

Ésta Garantía no aplica para México

Consulte la hoja de la garantía anexa para ver los términos más vigentes de la garantía aplicable a este producto. En caso de no disponer de esta hoja de garantía anexa, consulte los detalles sobre la garantía descritos en el sitio web de su país respectivo indicado a continuación.

Estados Unidos de América: www.makitatools.com

Canadá: www.makita.ca

Otros países: www.makita.com

Makita Corporation
3-11-8, Sumiyoshi-cho,
Anjo, Aichi 446-8502 Japan
www.makita.com

885904B930 UR008G-1 EN, FRCA, ESMX 20220106
--